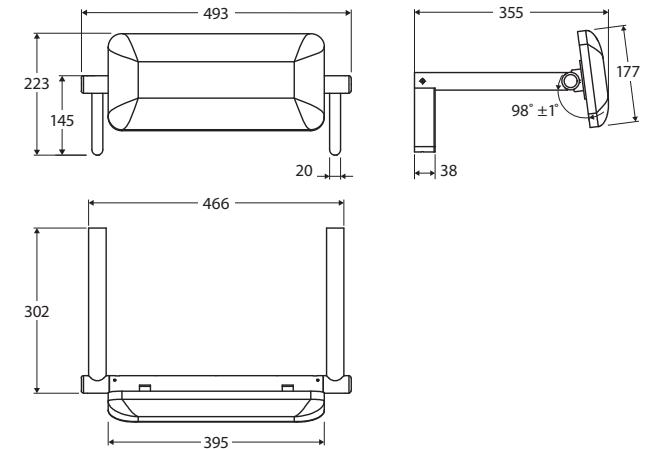


# Care Back Rest

## Features

- Meets AS1428.1 Access and Mobility requirements (when used with single flap seat and raised buttons; not compliant for sole occupancy units)
- Designed to withstand a force of 1100N (110 kg)
- 304 stainless steel frame with PU leather cushion
- Concealed fittings (mounting screws included)

**Please Note:** Suitable support must be included behind the wall for fixing bolts.



## Available in



Electroplated  
Chrome  
**200992**



Electroplated  
Matte Black  
**200992B**



PVD  
Gun Metal  
**200992GM**



PVD  
Brushed Copper  
**200992CO**



PVD  
Urban Brass  
**200992UB**

## Cleaning & Care

- Regularly clean with mild soapy water using a microfibre cloth.
- In highly polluted or coastal locations, we recommend cleaning 2-3 times per week.
- Do not use harsh detergents, bleach, cream cleaners or citrus based cleaners. These substances are abrasive and will damage the surface.
- Do not use undue pressure and wipe in one direction only

We aim to ensure that specifications are correct at the time of publication. All measurements are shown in millimetres. Always use measurements of actual product received for final specification as the technical drawing may contain differences. Due to printing limitations, physical colour may vary from the image shown. Fienza reserves the right to make modifications without prior notice.