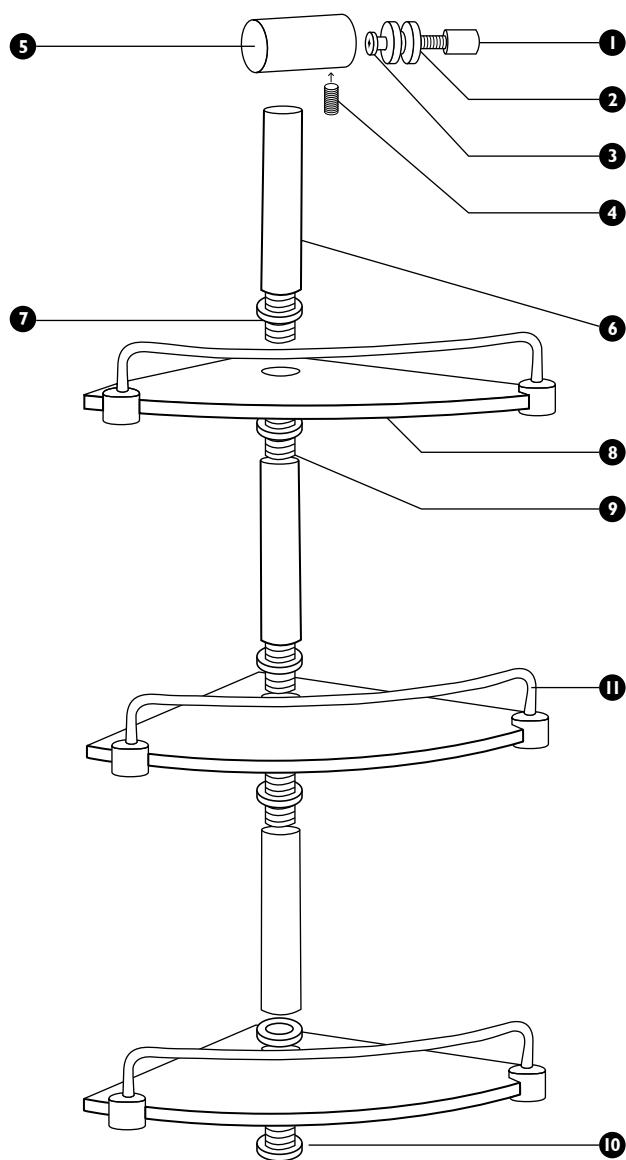




marbletrend

flinders shower tidy

INSTALLATION INSTRUCTIONS



PARTS LIST

1. 1 x Wall Plug
2. 1 x Fixing Ring
3. 1 x Screw
4. 1 x Fixing Grub Screw
5. 1 x Fixing Rod
6. Connection Rods
7. Washers
8. 2 or 3 Glass Shelves (depending on model)
9. 1 x Connection Bolt
10. 1 x Fixing Bolt
11. 2 or 3 Sets of Protection Fence (depending on model)

ASSEMBLY

1. Assemble Shower Tidy as per diagram.
2. Drill a 6mm hole in wall lining, insert the wall plug. Fasten the fixing ring on the wall with screw and then fasten the fixing rod to the fixing ring with the grub screw.
3. The total weight of items on the shelf must not exceed 1.5kg.



2 Tier
Flinders Shower Tidy
Code TIMEDEAC



3 Tier
Flinders Shower Tidy
Code TIMEDEA3

Product specifications are subject to change without notice