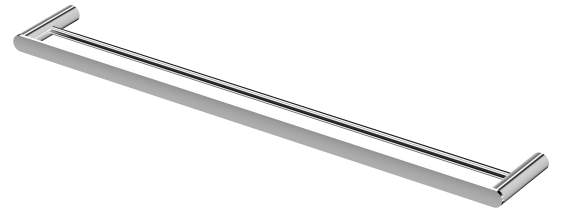
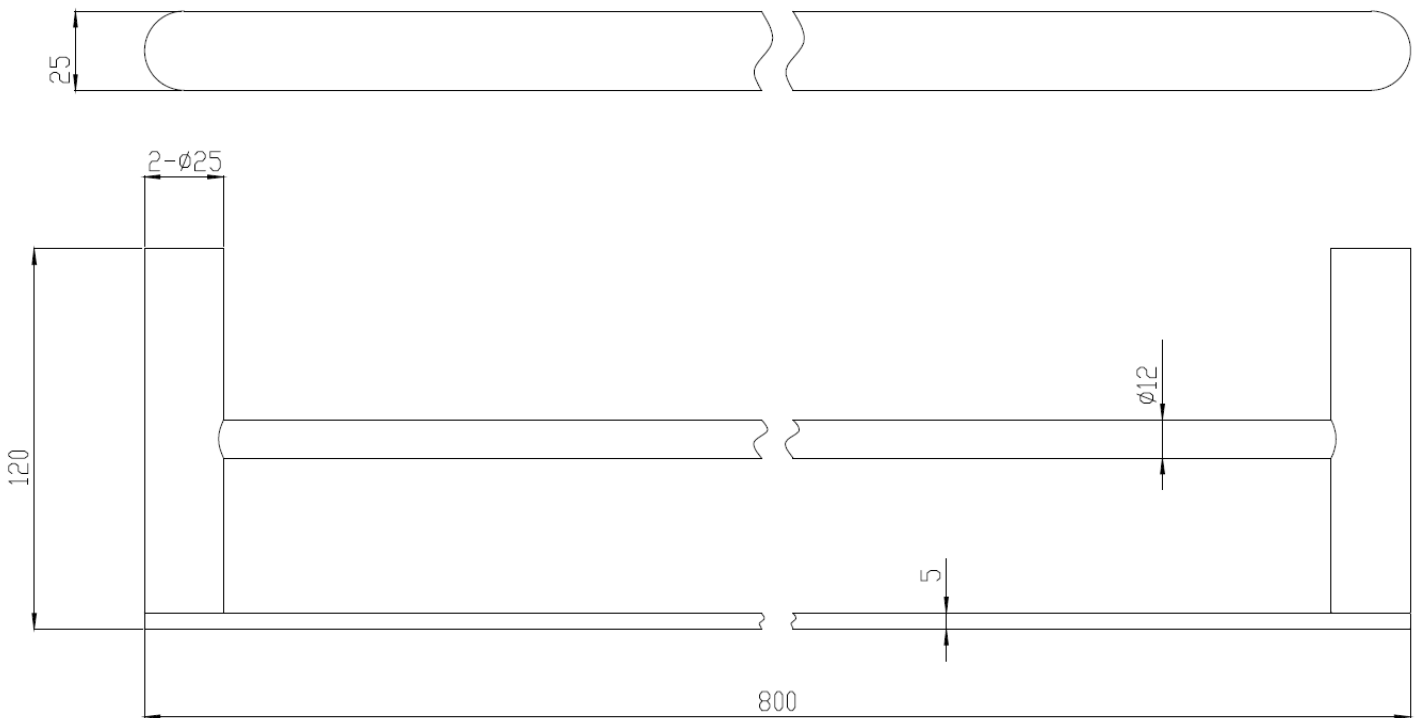




WEST AUSTRALIAN  
OWNED & OPERATED



## Double Towel Rail



Chrome  
300980CP



Matte Black  
300980BK



Brushed Nickel  
300980BN



Brushed Gold  
300980BG



Gun Metal  
300980GM

Dimensions are approximate. Information in this technical overview is representative of the product available at the time of printing. Due to our policy of continuous product development, the design and specifications depicted are subject to change without notice. Please confirm all particulars prior to installation.