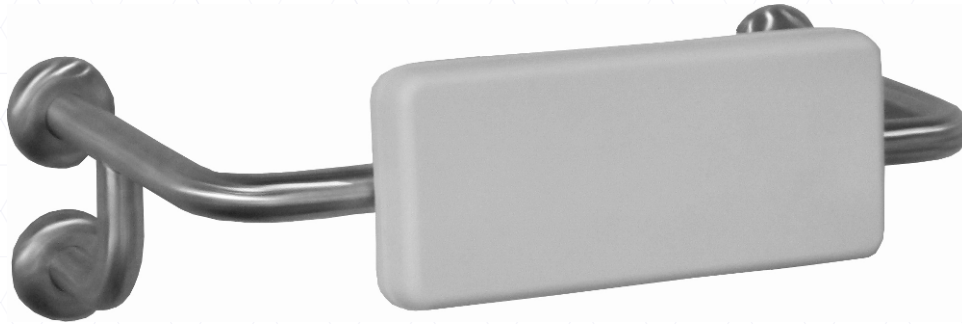


# ASSIST BACKREST

32mm STAINLESS TUBULAR FRAME  
SOFT POLYURETHANE CUSHION

**JohnsonSuisse**  
Bathroom Solutions

CODE:  
BR1002



## FEATURES

The Assist back rest has a universal design to suit most special needs toilet suite.

- High quality 32mm 304 stainless steel frame for strength and durability
- Concealed fixing system provides simple, secure installation
- Soft and comfortable cushion pad
- Easy cleaned with mild detergent and a soft cloth

## WHERE USED

Life Assist Rimless, Select Assist and Plaza Assist Pans

## WARRANTY

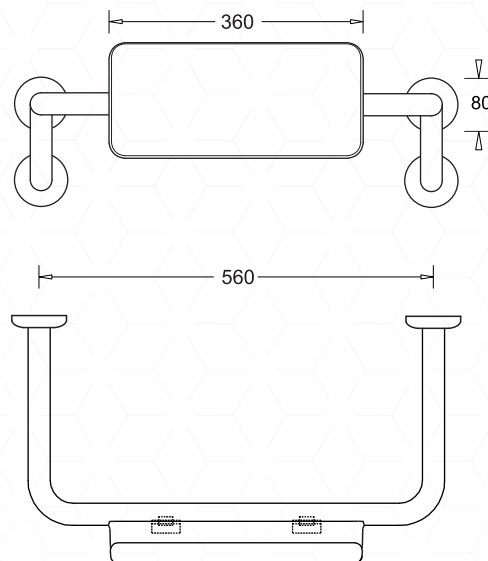
[johnsonsuisse.com.au](http://johnsonsuisse.com.au)



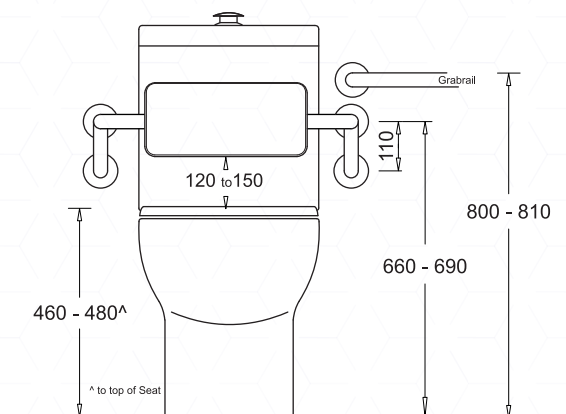
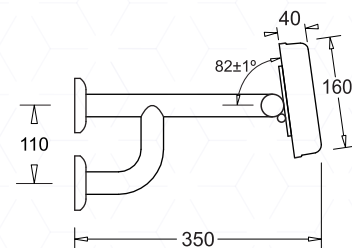
### Special Installation Note

The Assist Backrest is designed to comply with AS1428.1(2009) -Design for access and mobility.

It is a requirement that sanitary installations for people with disabilities adhere to this Standard. Specified circulation clearances, grab-rails, and other accessories must be in compliance.



Frame construction 304SS tube - Ø31.5 x 1.5mm



Suitable to use with Life Assist FTW, Select Assist or Plaza Assist pans (not included)

## TECHNICAL DATA SHEET

SUPERSEDES ALL PREVIOUS ISSUES

All dimensions are in millimetres and are subject to normal manufacturing variation. As product development is ongoing BPA reserves the right to vary specifications without notice.  
**Bathroom Products Australia P/L** ABN 87 079 297 617

**JohnsonSuisse**  
Bathroom Solutions

2/97 Banksia St., Botany, NSW 2019  
TEL: 1300 717 717 FAX: 1300 746 480  
[www.johnsonsuisse.com.au](http://www.johnsonsuisse.com.au)