

CLINICAL BASIN - TYPE A

JohnsonSuisse
Bathroom Solutions

LARGE CLINICAL SCRUB BASIN
640 x 545mm

CODE: J3090.PW1

FEATURES

- Large custom shaped clinical scrub basin for hospital use*
- Robust wall mountings with stainless steel waste support bracket
- Supplied with no taphole or overflow
- Durable, hygienic glaze finish
- 15L bowl capacity

COMPONENTS

Type A large clinical basin	J3090.0.A
Waste support bracket	XJ305
Wall installation kit (rag bolts)	X022
32/40mm plug and waste	PW1

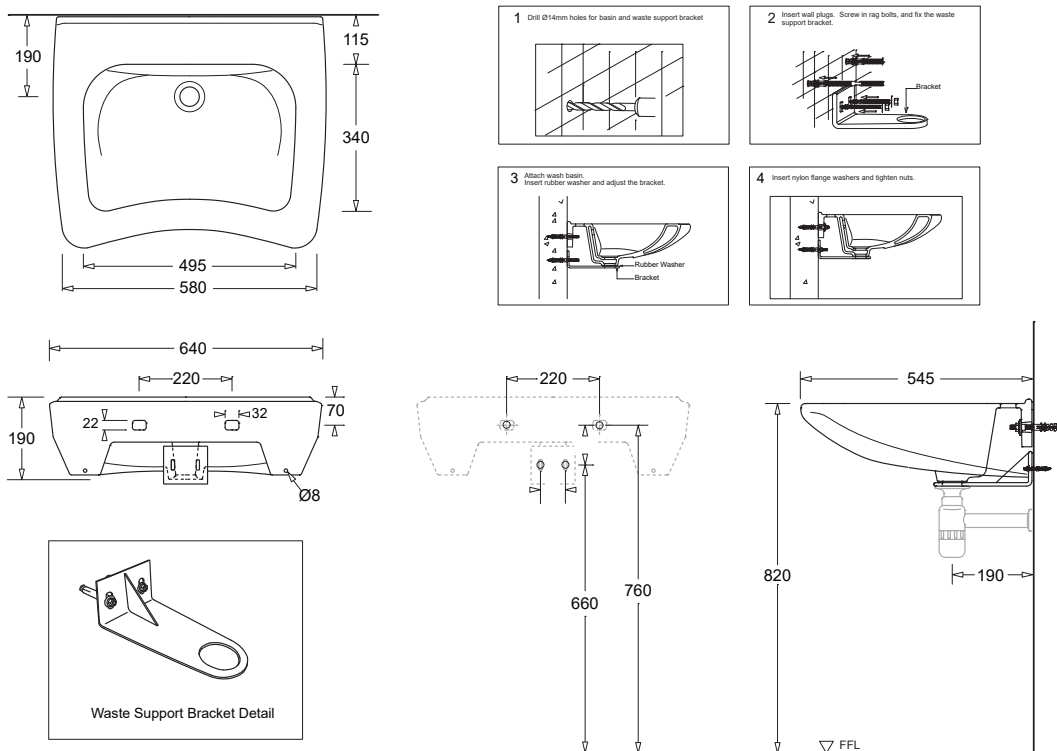


WARRANTY

Vitreous china 25 years replacement
-refer to T&Cs at www.johnsonsuiss.com.au



PRODUCT ARRANGEMENT



*Suitable as a Type A - Large clinical scrub basin per Australian Health Facility Guidelines: Part D.

NOTE: Normal installations of this type of basin usually utilise wall mounted tapware. Overflows are not specified for sanitary reasons.

TECHNICAL DATA SHEET

SUPERSEDES ALL PREVIOUS ISSUES

All dimensions are in millimetres and are subject to normal manufacturing variation.
As product development is ongoing BPA reserves the right to vary specifications without notice.
Bathroom Products Australia Pty Ltd ABN 87 079 297 617
1023

JohnsonSuisse
Bathroom Solutions

2/97 Banksia St.,
Botany, NSW 2019
TEL: 1300 717 717

www.johnsonsuiss.com.au