

PLAZA ASSIST DELUXE

SPECIAL NEEDS S TRAP TOILET SUITE

CODE:

Blue seat	J2031.J2201SNB
Grey seat	J2031.J2201SNG
White seat	J2031.J2201SNW

FEATURES

- Concealed outlet S trap pan with vitreous china mid-level cistern
- Suitable for commercial or domestic Special Needs/Ambulant installations
- Assist seat has no cover and incorporates lateral stabilisers
- Seat is available in Blue, Grey or White colours
- Chrome flush pipe dimensions provide projection compliance with AS1428.1:2021

COMPONENTS

Plaza Assist pan - S Trap		J2031
Plaza Assist Cistern (bottom entry)		J2201SN
Assist Single Flap seat (Top-fix)	Blue	RB6015B
	Grey	OR
	White	RB6015W

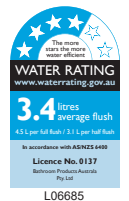
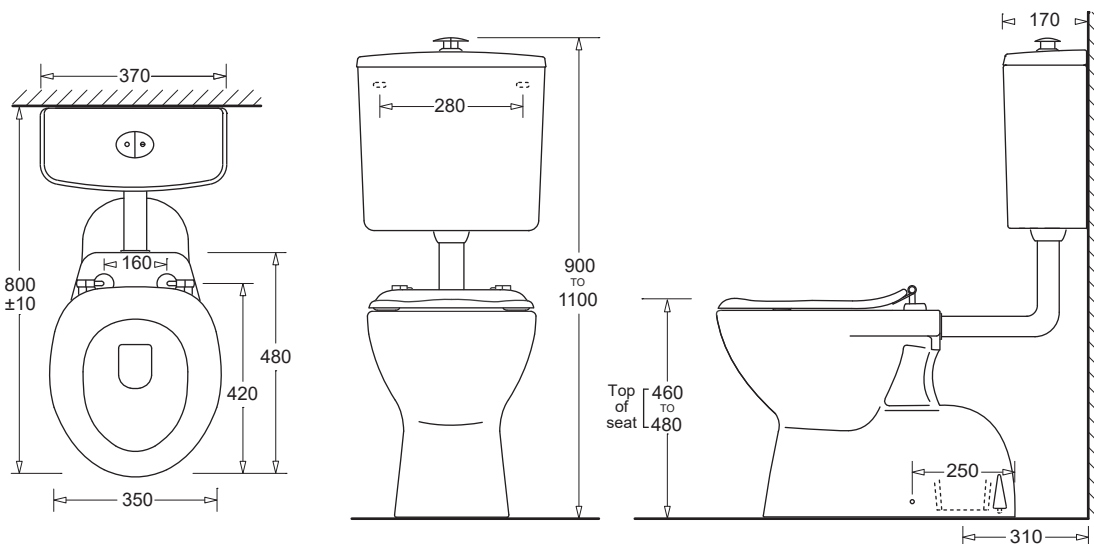


WARRANTY

Vitreous china 25 years replacement
Toilet seat 5 years replacement
-refer to T&Cs at www.johnsonsuiss.com.au



PRODUCT DIMENSIONS



W
AS1172.1:2-2014
WMK21238

Standard fittings

Inlet valve (Bottom entry)	XJ100
Outlet valve	XJ117
Flush pipe - chrome	X060A
Keeseal	XR905
Capnut (ML)	X023C
Stopper bung	XJ160

Optional fitting

Inlet valve (Back entry)	XI230
--------------------------	-------

Special Installation Note

The Plaza Assist suite is designed to be in compliance with AS1428.1 - Design for access and mobility.

For compliance the complete sanitary facility must comply with this Standard - specified circulation clearances, back rest, grab-rails and accessories must also comply.

TECHNICAL DATA SHEET

SUPERSEDES ALL PREVIOUS ISSUES

All dimensions are in millimetres and are subject to normal manufacturing variation.
As product development is ongoing BPA reserves the right to vary specifications without notice.
Bathroom Products Australia Pty Ltd ABN 87 079 297 617