

# BUS120PL

# Kitchenette

## 120cm



### FEATURES & BENEFITS

- Durable white high gloss finish to all sides
- Designed for easy installation
- Fully assembled (no assembly required)
- Soft closing doors
- Stylish chrome handles

### SIZE

- 1200mm W x 495mm D x 895mm H

### COLOUR

- Gloss White

### MANUFACTURING MATERIALS

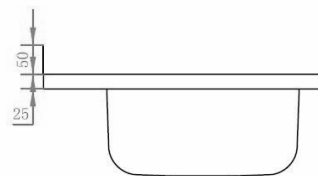
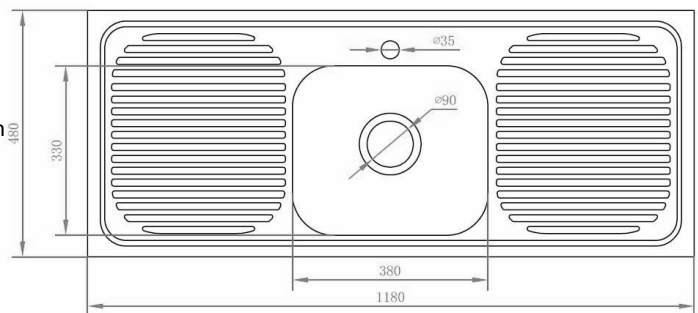
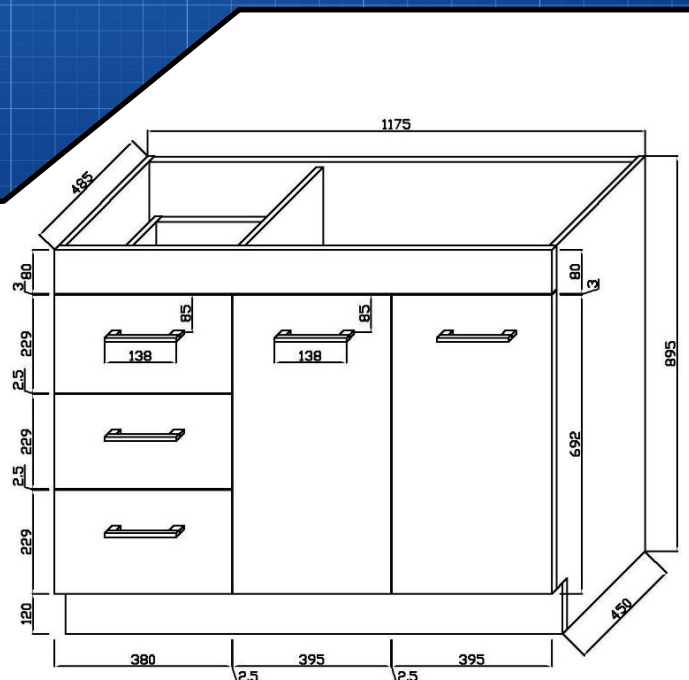
- 100% Waterproof PVC Construction
- Durable 2 pack painted surface
- 304 Stainless Steel

### GUARANTEE

- All Alpine cabinets come with a genuine 5 Year Warranty which covers materials used and workmanship at the time of manufacture.

Dimensions and set-outs are correct at the time of publication, however the manufacturer/ distributor takes no responsibility for printing errors.

The manufacturer/distributor reserves the right to vary specifications or delete models from their range without prior notification.



[www.alpinekb.com.au](http://www.alpinekb.com.au)