



LUS120P

90 Litre

Laundry Unit

FEATURES & BENEFITS

- Durable white high gloss finish to all sides
- Designed for easy installation
- Fully assembled (no assembly required)
- Soft closing doors
- Stylish chrome handles

SIZE

- 1160mm W x 500mm D x 895mm H

COLOUR

- Gloss White

MANUFACTURING MATERIALS

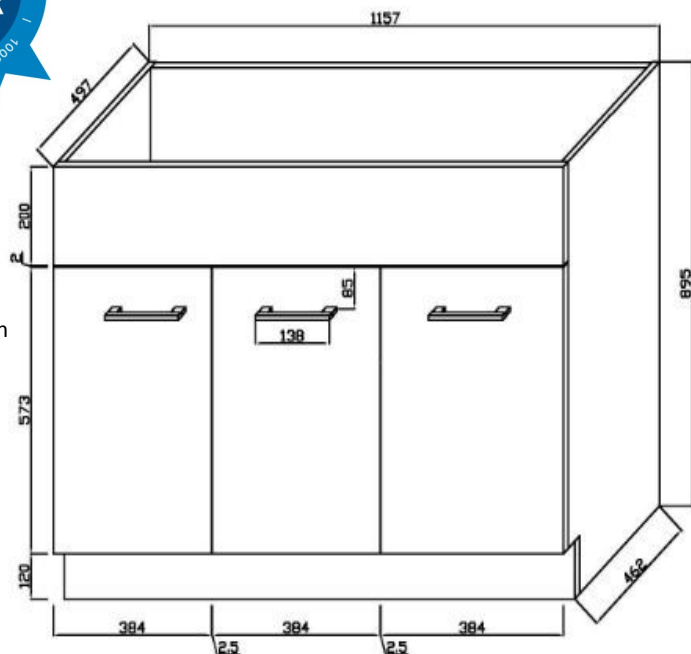
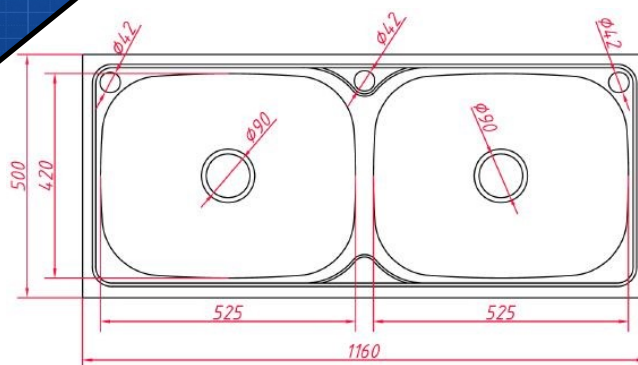
- PVC Board
- 304 Stainless Steel Bowl
- Durable 2 pack painted surface

GUARANTEE

- All Alpine cabinets come with a genuine 5 Year Warranty which covers materials used and workmanship at the time of manufacture.

Dimensions and set-outs are correct at the time of publication, however the manufacturer/ distributor takes no responsibility for printing errors.

The manufacturer/distributor reserves the right to vary specifications or delete models from their range without prior notification.



www.alpinekb.com.au