

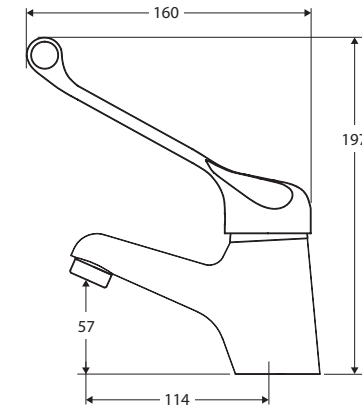
Stella Care

BASIN MIXER

Features

- Can be installed to comply with AS1428.1
- Long handle for easy reach and operation
- Fixed position
- Made from solid brass
- 40 mm cartridge
- PEX split-resistant flexible hoses
- **WELS 5 Star rated, 5L/min**

Please note: This product may have a visible Fienza or Watermark logo.



Available in



Polished Chrome
211103D

Cleaning & Care

- Regularly clean with mild soapy water using a microfibre cloth.
- In highly polluted or coastal locations, we recommend cleaning 2-3 times per week.
- Do not use harsh detergents, bleach, cream cleaners or citrus based cleaners. These substances are abrasive and will damage the surface.
- Do not use undue pressure and wipe in one direction only.



While we aim to ensure specifications are correct at the time of publication, Fienza reserves the right to make modifications without prior notice. Physical colour may vary from image shown. All measurements are shown in millimetres. Always use physical product measurements for mark-ups and roughing-in as the technical drawing may differ from actual product received.