

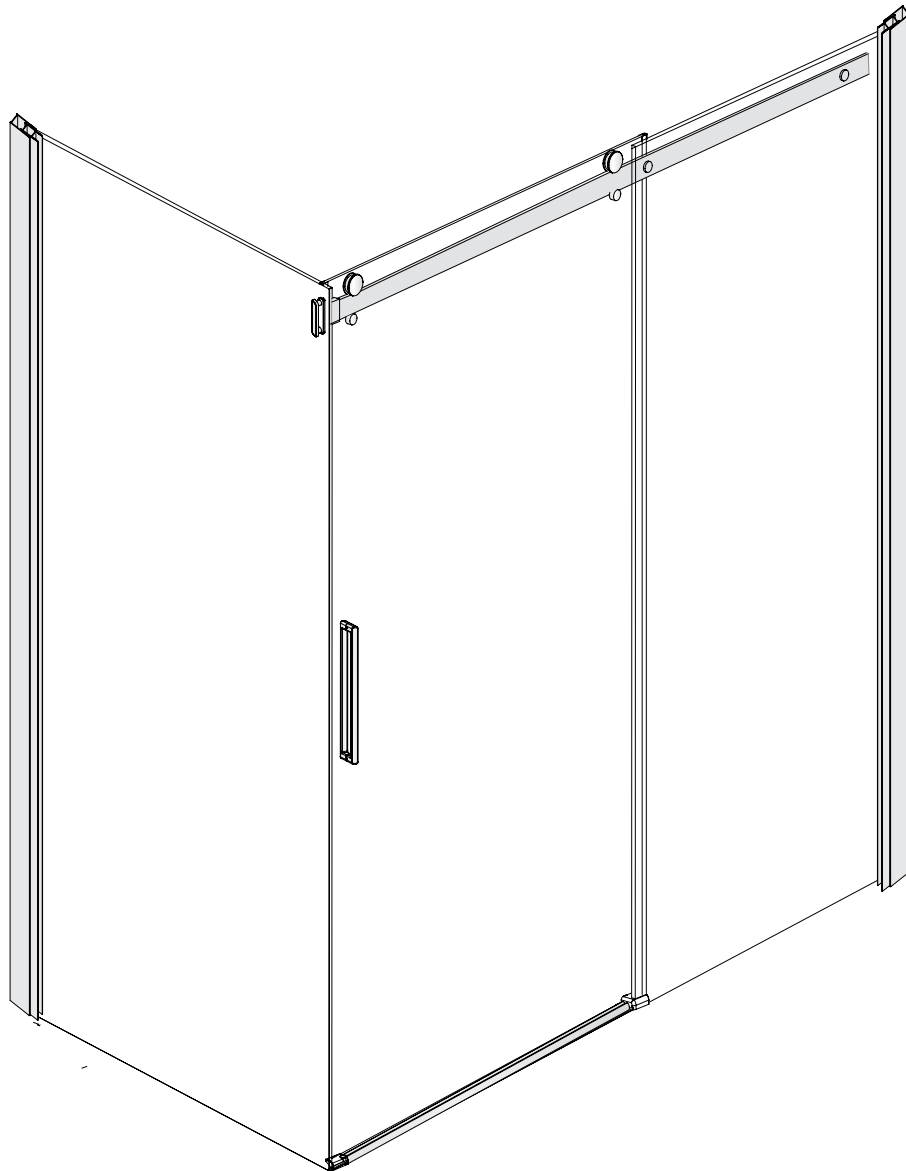
JohnsonSuisse

barossa slider shower screen

INSTALLATION

CARE

WARRANTY



GENERAL INFORMATION

Please inspect the product immediately upon receipt for damage, missing packs/parts or manufacturing faults. Damage reported later cannot be accepted.

Please handle the product with care avoiding knocks and shock loading to all sides and edges of glass. Glass edge must not contact any hard surface.

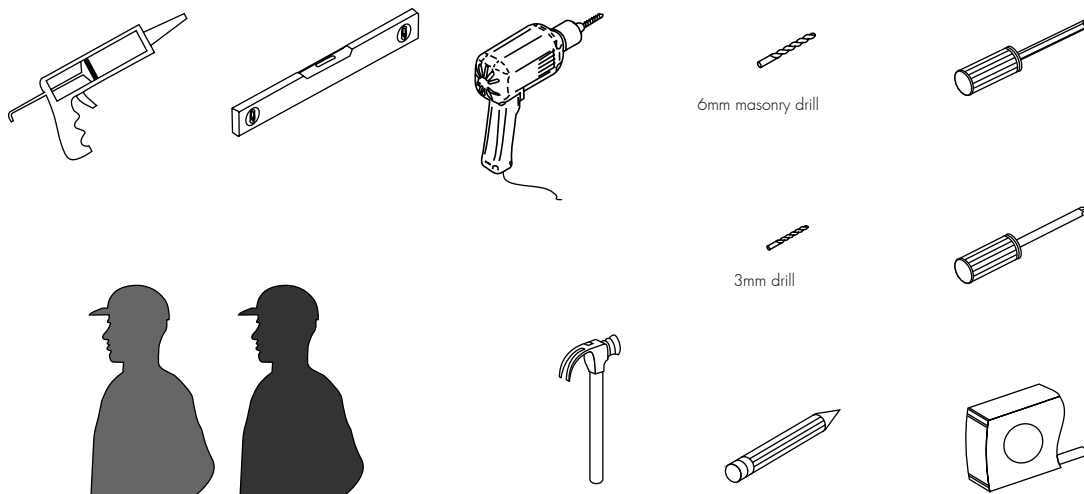
Claims for defects/damage cannot be made after installation is completed.

NOTE: SAFETY GLASS CANNOT BE REWORKED. DO NOT TRY TO ALTER PARTS IN ANY WAY.

Please read these instructions carefully before you start installation. Special care should be taken when drilling walls to avoid hidden pipes or electrical cables.

Securing into a stud or timber brace is highly recommended, if unable to do so other secure means of fixing must then be considered.

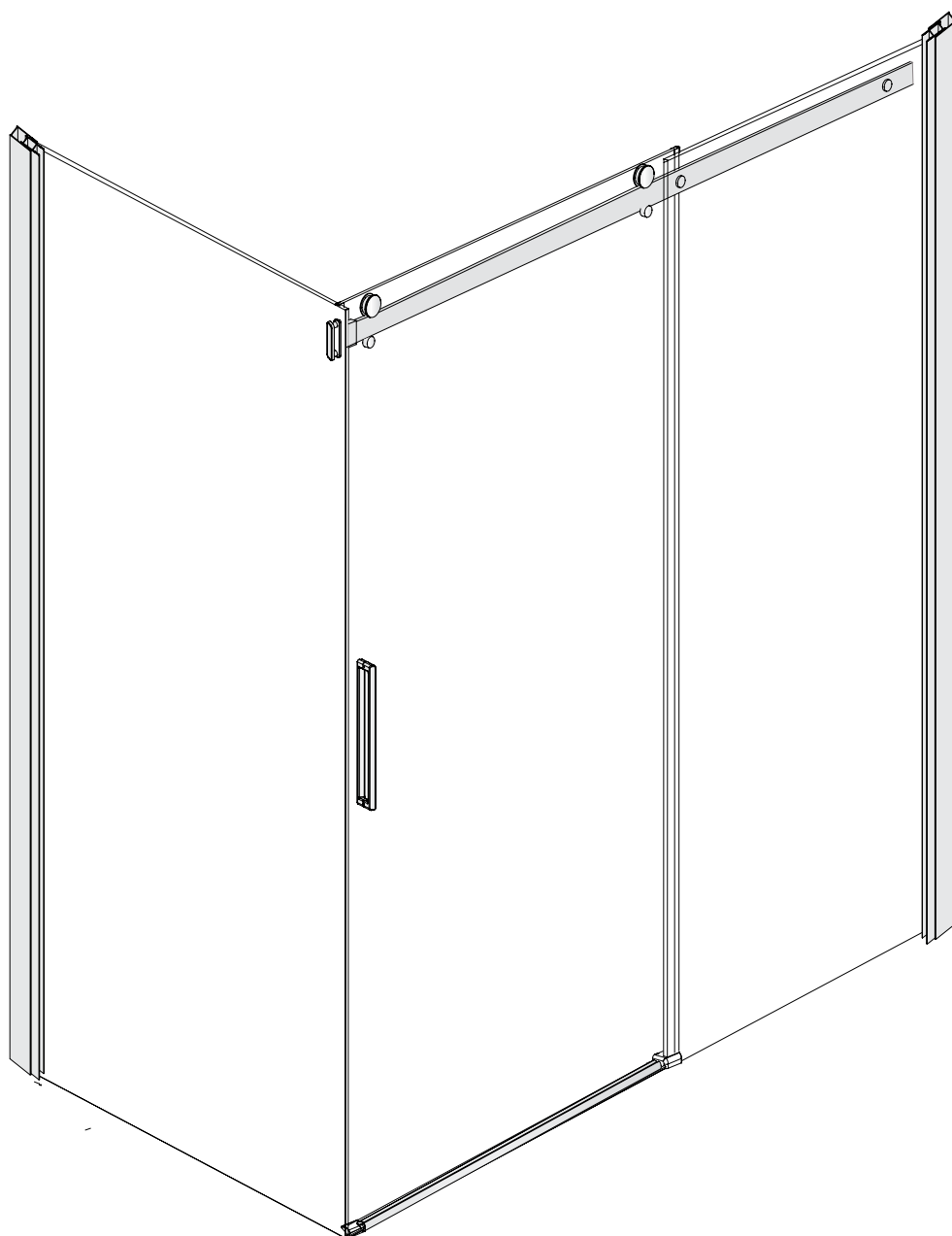
TOOLS REQUIRED



This product is heavy and awkward, it is recommended that two people are used to install it.

CONTENTS









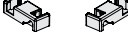










Installation 4









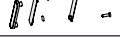


BOX CONTENTS

Before commencing installation, please check that you have received all components.

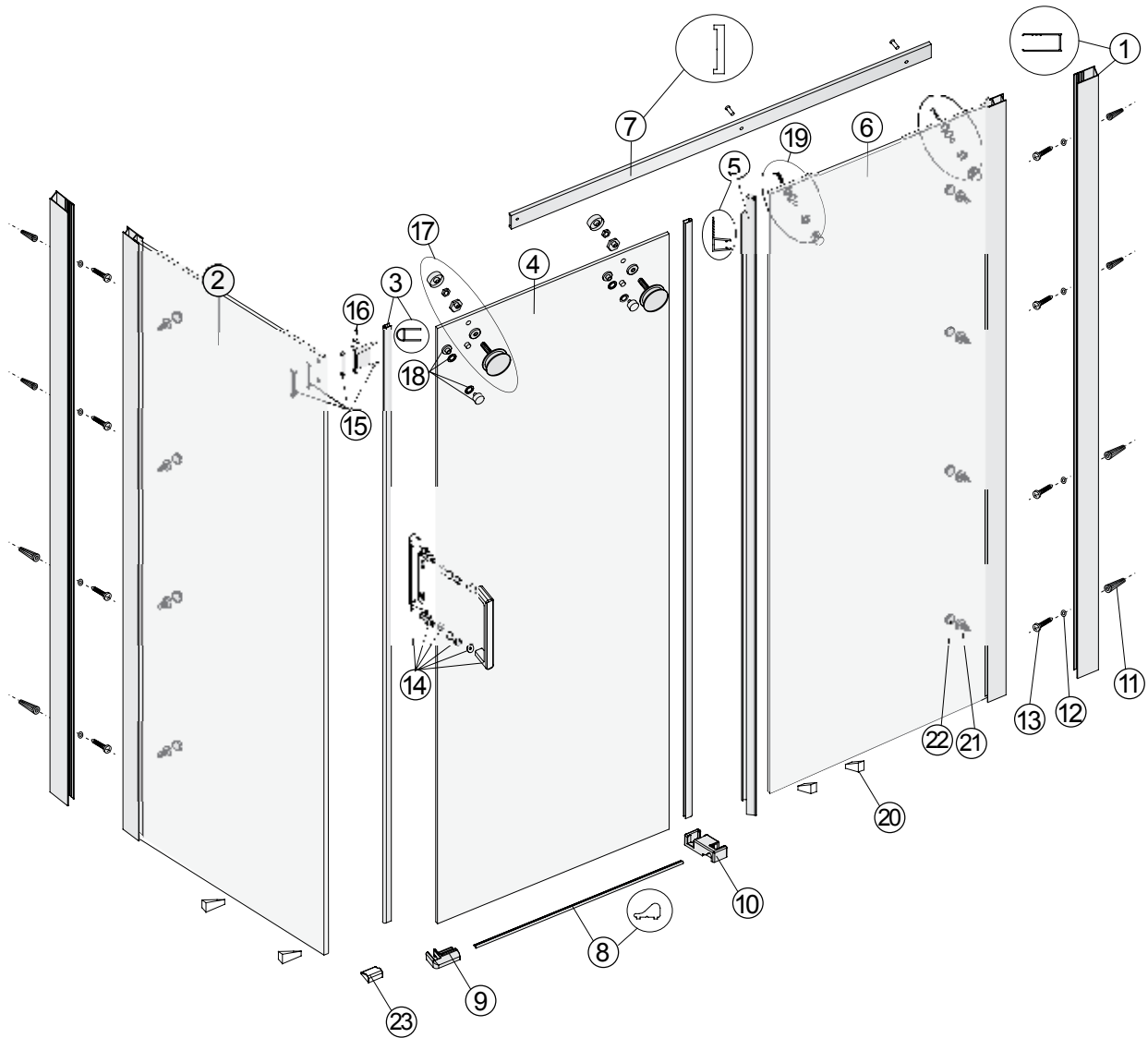
Box 1

1 x wall jamb	
2 x buffer strips	
1 x Front fixed panel/2 x glass settling locks	
1 x vertical seal	
1 x door panel	
1 x rail	
1 x bottom rail	
2 x end blocks for Alcove (LH & RH)	
2 x sliding blocks (LH & RH)	
4 x 6mm plastic wall plugs	
4 x 4mm washers	
4 x 3.5x 35 SS screws	
1 x handle set	
1 x rail bracket	
2 x roller sets	
2 x lock in knob sets	
2 x rail support sets	
4 x 3.9 x 8 SS screws	
4 x cover caps	

Box 2

1 x wall jamb	
1 x return panel	
2 x end blocks for return (LH&RH)	
4 x 6mm wall plugs	
4 x 4mm washers	
4 x 3.5 x 35 SS screws	
1 x rail bracket parts for side panel	
4 x 3.9 x 8 SS screws	
4 x cover caps	

ASSEMBLY DRAWING



- | | | | |
|-----|-----------------------------------|-----|-----------------------------------|
| 1. | 2 x wall jamba | 13. | 8 x 3.5x35 SS screws |
| 2. | 1 x side panel | 14. | 1 x handle set |
| 3. | 2 x buffer strips | 15. | 1 x rail bracket side panel parts |
| 4. | 1 x door panel | 16. | 1 x rail bracket |
| 5. | 1 x vertical seal | 17. | 2 x roller sets |
| 6. | 1 x fixed glass front panel | 18. | 2 x lock in knob sets |
| 7. | 1 x rail | 19. | 2 x rail support sets |
| 8. | 1 x drip rail | 20. | 4 x setting blocks |
| 9. | 1 x end block(R) | 21. | 8 x 3.9x8SS screws |
| 10. | 1 x sliding block(R) | 22. | 8 x screw caps |
| 11. | 8 x 6mm plastic wall plug anchors | 23. | 1 x screen block |
| 12. | 8 x 4mm steel washers | | |

STEP 1

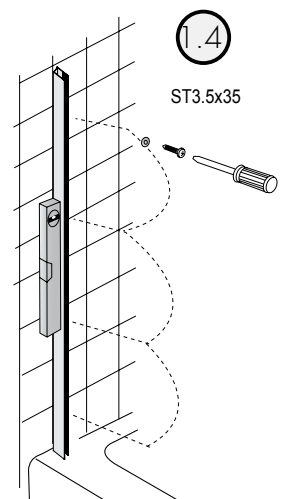
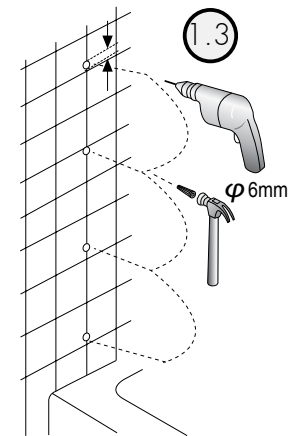
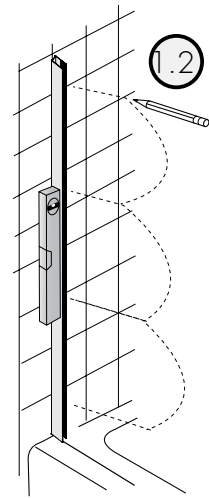
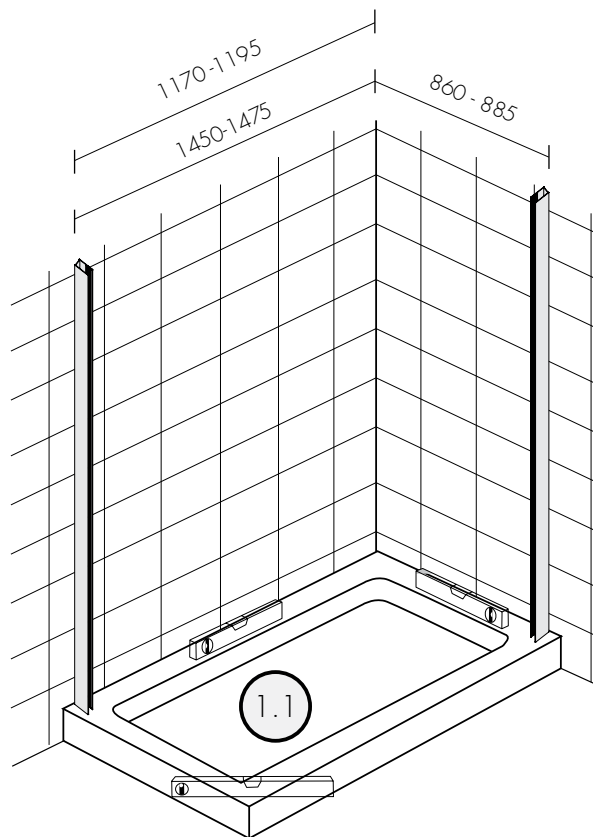
Ensure floor area where screen is to be installed is 100% level. Check measure screen size indicated below fits intended area for installation.

1.1 Adjust wall jambs [1] to ensure they are plumb and within the minimum/maximum size range, measuring to the outside of the wall jamb.

1.2 Mark holes on the wall through the holes on the wall profile.

1.3 Drill holes in wall using a masonry bit, then carefully tap-in the fixing plugs [11]. Plugs supplied are standard masonry type; use other appropriate fixings if plugs supplied are not suitable for your wall type.

1.4 Screw wall jambs to walls using [12,13] ensuring the jambs are plumb.

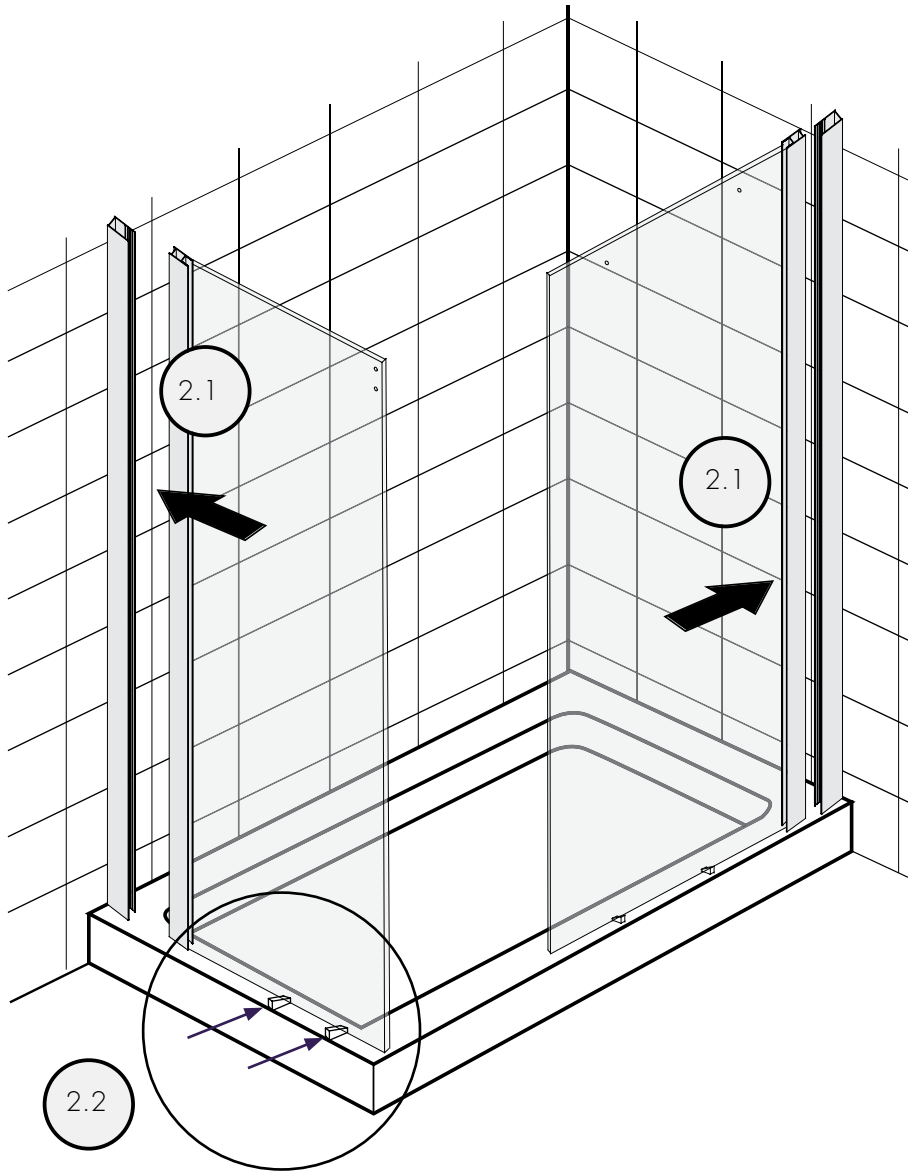


Inspect all pieces of glass for minor chips/damage before commencing installation. DO NOT USE glass if it has been damaged in any way.

STEP 2

2.1 Insert the side panel [2] and fixed front panel [6] into the wall jambs.

2.2 Glass must be set on glass setting blocks [20] provided to prevent shock loading. Trim setting block to thickness of glass once set in place.



To prevent breakage **glass must not touch hard surfaces**

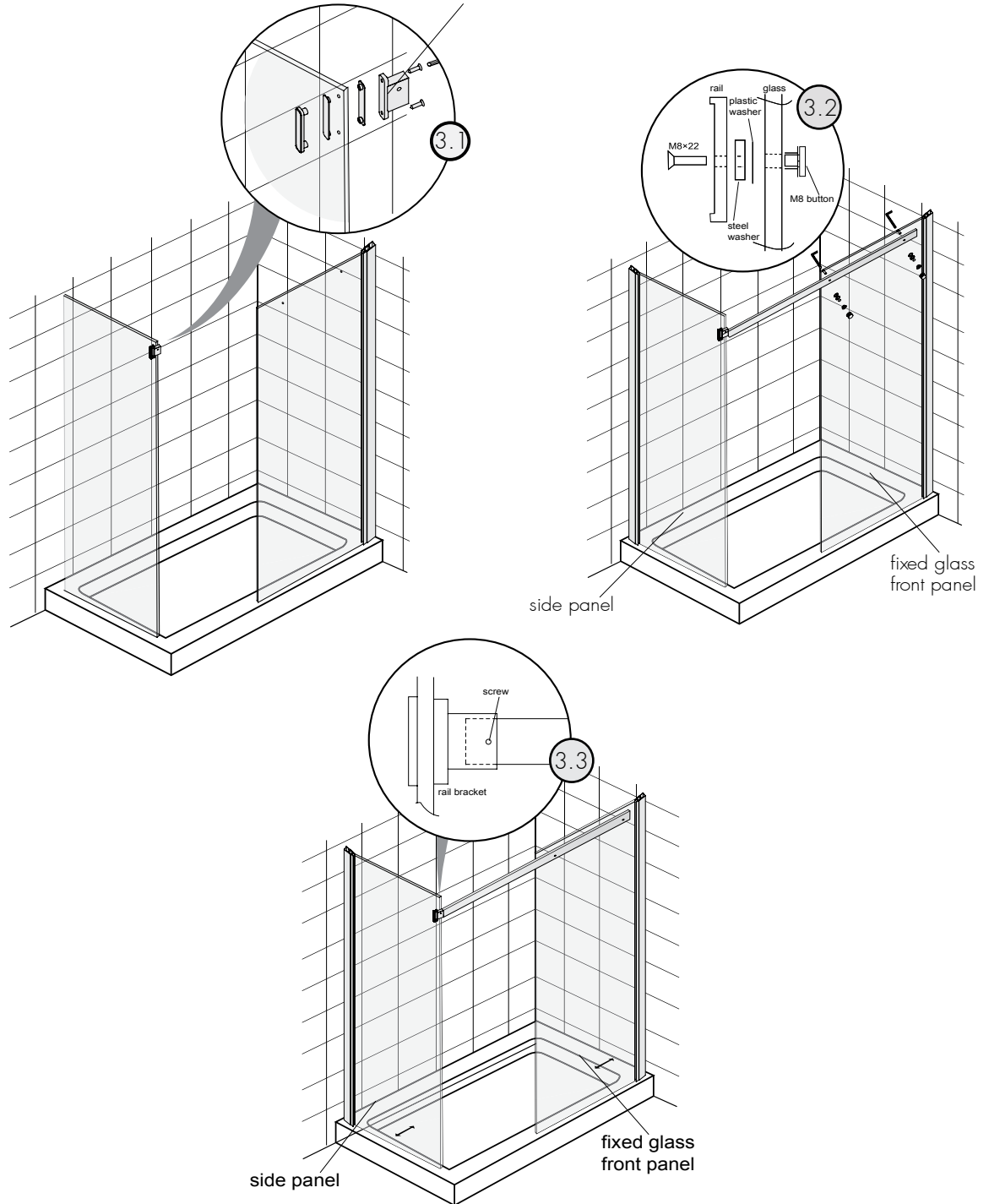
STEP 3

3.1 Install rail bracket [15, 16] to return panel.

3.2 Insert rail [7] into rail bracket and connect rail to front fixed panel using the rail support sets [19]

3.3 Adjust side panel to be parallel wall or edge of base, if necessary, adjust the fixed panel to ensure that the rail is inserted in bracket beyond the grub screw. Tighten grub screw on bracket to fix rail in place.

Note: this screw should face the inside of the shower.



Ensure a plastic glass protector is used between all metal parts and the glass.

STEP 4

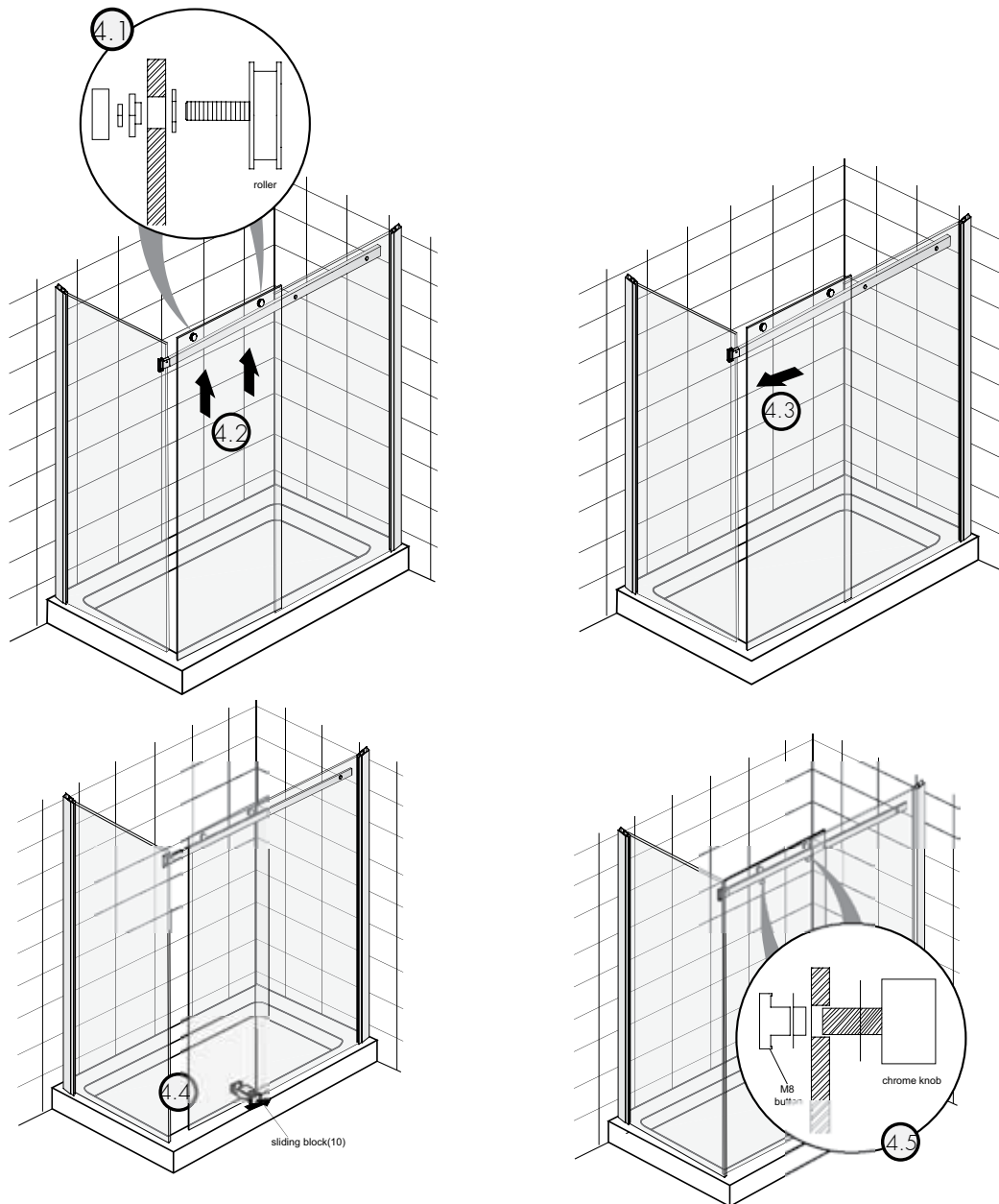
4.1 Install the roller sets [17] to door panel [4]. Rollers should be on the outside of the door.

4.2 Hang the door on the rail from inside of the shower.

4.3 Carefully slide the door toward the side panel and check the gap between door & side panel is even; adjust if necessary using offset in rollers or adjustment from the rail support.

4.4 Install the sliding block [10] to the front fixed panel and tighten lock-in screw.

4.5 Install the lock in knob set [18] into holes in door panel with the chrome knob on the outside of door.



Ensure a plastic glass protector is used between all metal parts and the glass.

STEP 5

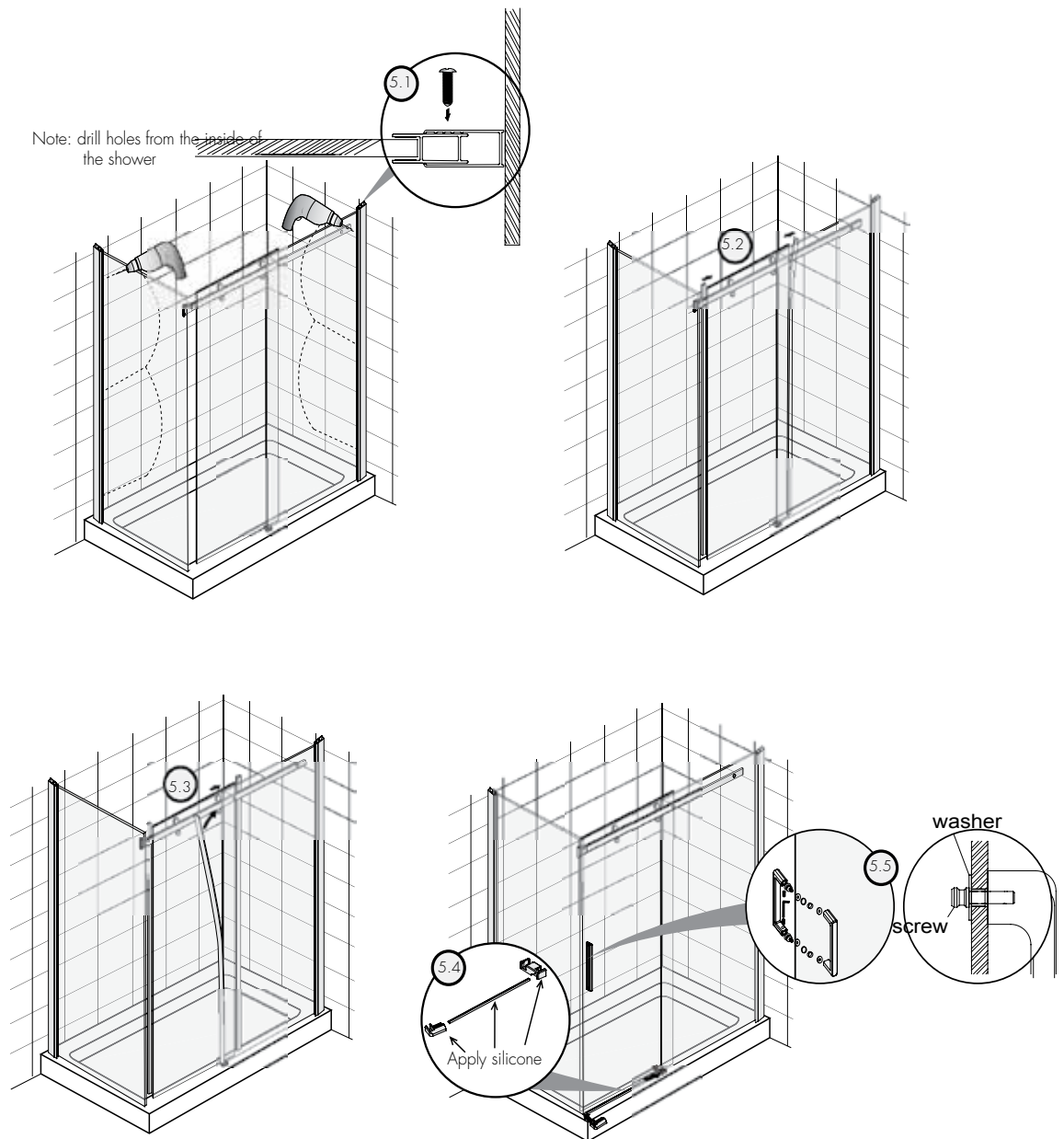
5.1 On the inside of the shower, drill 3.2mm holes through the fixed panel profile and wall jamb; then the return panel profile and wall jamb. Screw together using screws [21], fit the screw caps to the expose screw head [22].

5.2 Install the buffer strips [3] onto the door panel.

5.3 Install the vertical seal [5] onto the fixed panel.

5.4 Apply silicone to the underside of the drip rail [8] and end block [9], then insert drip rail into sliding block, with the end block connecting the drip rail to the side panel.

5.5 Install the handle set [14], with the locking screws on the inside of the shower.



STEP 6

Apply high quality neutral cure silicone to the outside of shower. DO NOT USE the shower for 24 hours.

24 HRS

