

# Hana

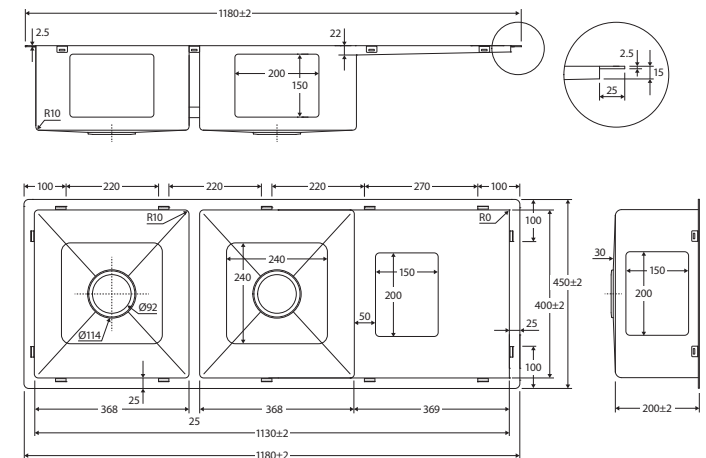
## DOUBLE KITCHEN SINK WITH DRAINER, 29L/29L

### Features

- Hand made from 1.2 mm thick, high quality 304 stainless steel
- Fitted with sound and vibration dampening panels to reduce acoustic impact of water and equipment
- Two basket wastes included (A3SS)
- Topmount or undermount installation
- Mounting brackets and screws included
- Capacity: 29L/29L
- Overall size: 1180 L x 450 W x 200 D mm

### Optional Accessories

- Roll Up Drainer (A22)
- Drainer Tray (A21)
- Colander (A20)
- Chopping Board (A26)



### Available in



Brushed  
Stainless Steel  
**68408**

### Cleaning & Care

- Dry off any water droplets after use with a clean dry cloth.
- Once a week use a detergent mixed with a small amount of ammonia and rub gently with a soft cloth. Rinse thoroughly with cold water after cleaning, then dry with a clean cloth.
- Do not use steel wool, abrasive cleansers or cleaning pads to clean your sink.
- Do not use chemical "silver cleaners", bleaches, or detergents containing chlorine or any of its derivatives.

While we aim to ensure specifications are correct at the time of publication, Fienza reserves the right to make modifications without prior notice. Physical colour may vary from image shown. All measurements are shown in millimetres. Always use physical product measurements for mark-ups and roughing-in as the technical drawing may differ from actual product received.