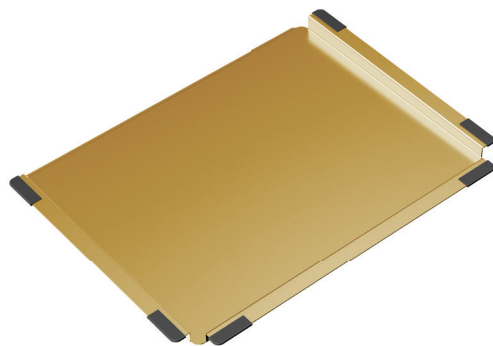
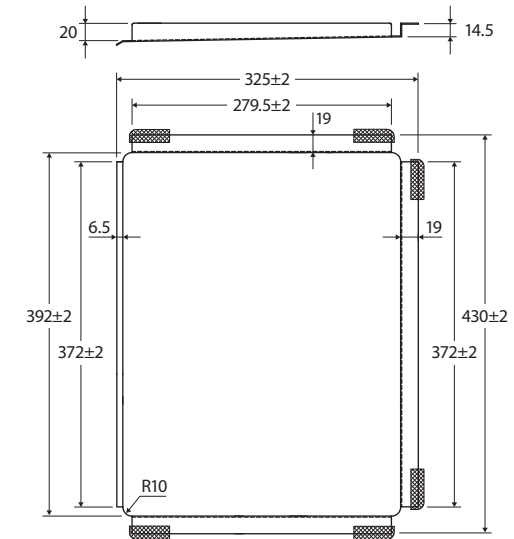


Hana

SINK DRAINER TRAY

Features

- Designed for draining clean dishes or for use as extra bench space when cooking
- Made from high quality 304 stainless steel
- Suits HANA Kitchen Sinks (68400, 68401, 68402, 68403, 68404)



Available in



Brushed
Stainless Steel
A21



PVD
Carbon Metal
A21CM



PVD
Rugged Brass
A21RB

Cleaning & Care

- Dry off any water droplets after use with a clean dry cloth.
- Once a week use a detergent mixed with a small amount of ammonia and rub gently with a soft cloth. Rinse thoroughly with cold water after cleaning, then dry with a clean cloth.
- Do not use steel wool, abrasive cleansers or cleaning pads to clean your sink.
- Do not use chemical "silver cleaners", bleaches, or detergents containing chlorine or any of its derivatives.

While we aim to ensure specifications are correct at the time of publication, Fienza reserves the right to make modifications without prior notice. Physical colour may vary from image shown. All measurements are shown in millimetres. Always use physical product measurements for mark-ups and roughing-in as the technical drawing may differ from actual product received.