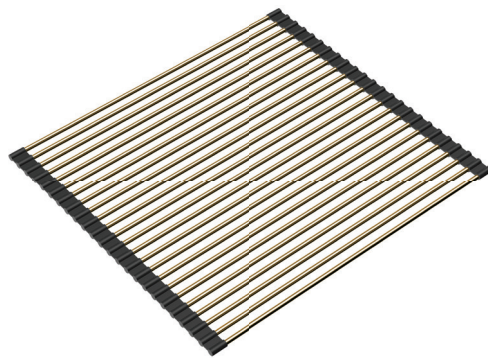
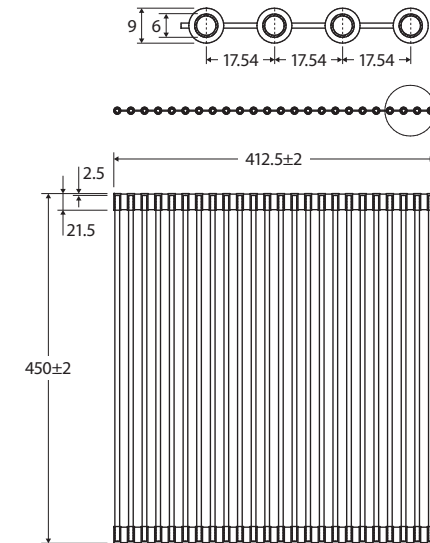
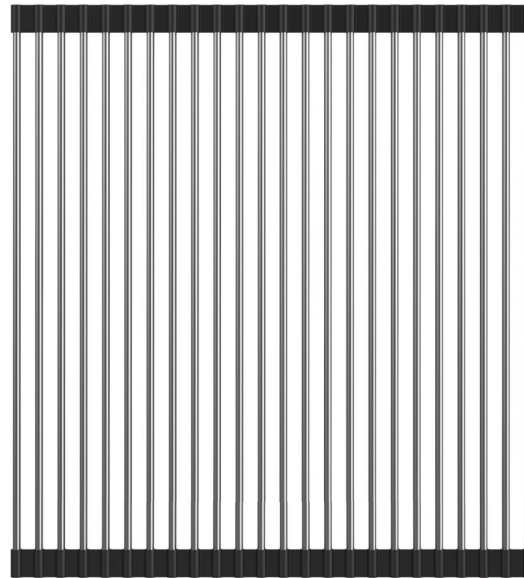


Hana

SINK ROLL UP DRAINER

Features

- Designed for rinsing dishes, cutlery and cooking utensils
- Made from high quality 304 stainless steel
- Suits HANA Kitchen Sinks (68400, 68401, 68402, 68403, 68404)



Available in



Brushed
Stainless Steel
A22



PVD
Carbon Metal
A22CM



PVD
Rugged Brass
A22RB

Cleaning & Care

- Dry off any water droplets after use with a clean dry cloth.
- Once a week use a detergent mixed with a small amount of ammonia and rub gently with a soft cloth. Rinse thoroughly with cold water after cleaning, then dry with a clean cloth.
- Do not use steel wool, abrasive cleansers or cleaning pads to clean your sink.
- Do not use chemical "silver cleaners", bleaches, or detergents containing chlorine or any of its derivatives.

While we aim to ensure specifications are correct at the time of publication, Fienza reserves the right to make modifications without prior notice. Physical colour may vary from image shown. All measurements are shown in millimetres. Always use physical product measurements for mark-ups and roughing-in as the technical drawing may differ from actual product received.