

# Tiva 780

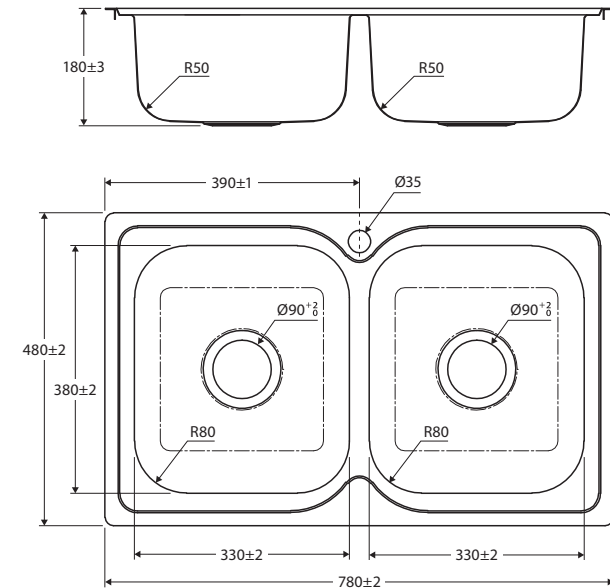
## DOUBLE KITCHEN SINK

### Features

- Double bowl design
- Made from polished 304 stainless steel
- Available with 1 tap hole or no tap hole
- Basket wastes included (2 x A3)
- Topmount installation
- Sealing tape and mounting clips included
- Capacity: 19L / 19L
- Overall size: 780 L x 480 W x 180 D mm

### Optional Accessories

- Oak Chopping Board (A6)
- Drainer Basket (A11)
- Drainer Tray (A13)



### Available in



1 Tap Hole  
**68108-1**



No Tap Hole  
**68108**

### Cleaning & Care

- Dry off any water droplets after use with a clean dry cloth.
- Once a week use a detergent mixed with a small amount of ammonia and rub gently with a soft cloth. Rinse thoroughly with cold water after cleaning, then dry with a clean cloth.
- Do not use steel wool, abrasive cleansers or cleaning pads to clean your sink.
- Do not use chemical "silver cleaners", bleaches, or detergents containing chlorine or any of its derivatives.

While we aim to ensure specifications are correct at the time of publication, Fienza reserves the right to make modifications without prior notice. Physical colour may vary from image shown. All measurements are shown in millimetres. Always use physical product measurements for mark-ups and roughing-in as the technical drawing may differ from actual product received.