

GEMELLI

TOILET SEAT

JohnsonSuisse
Bathroom Solutions

CODE:
JSEG715

FEATURES

- TOP-FIX, SOFT CLOSE, STAINLESS STEEL HINGE
- DUAL BUTTON QUICK RELEASE SYSTEM
- TOUGH DUROPLAST CONSTRUCTION

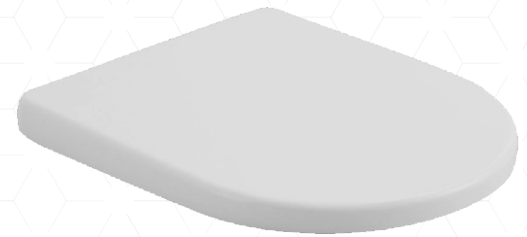
COMPATIBILITY

GEMELLI WALL FACED RIMLESS TOILET PAN
GEMELLI WALL HUNG RIMLESS TOILET PAN

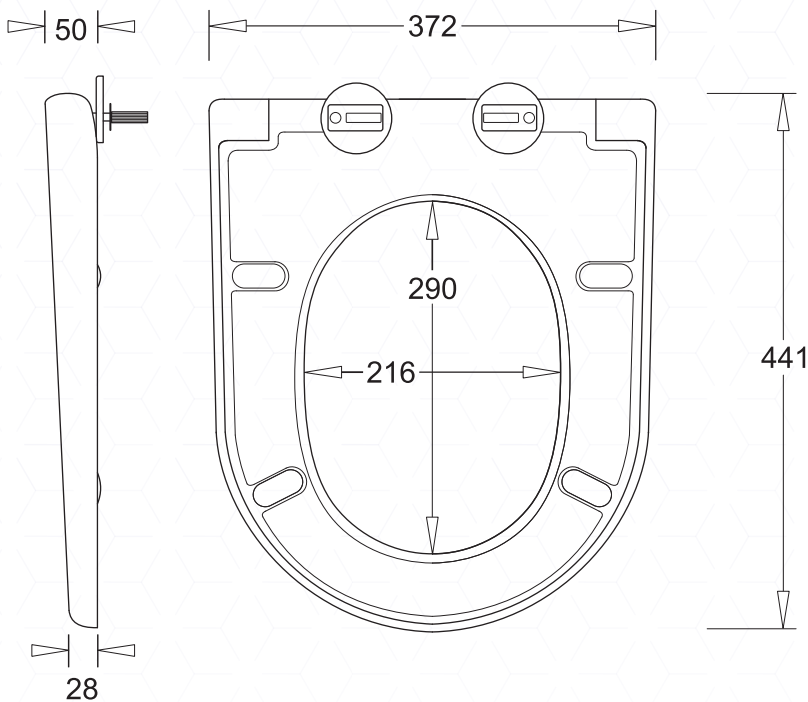
JTTG711
JTTG705

WARRANTY

5 YEARS PRODUCTS REPLACEMENT
- REFER TO T&C's AT johnsonsuisse.com.au



PRODUCT DIMENSIONS



OPTIONS

VENEZIA SEAT HINGE BOLT KIT XJTTV02

TECHNICAL DATA SHEET

SUPERSEDES ALL PREVIOUS ISSUES

All dimensions are in millimetres and are subject to normal manufacturing variation.
As product development is ongoing BPA reserves the right to vary specifications without notice.
Bathroom Products Australia P/L ABN 87 079 297 617

JohnsonSuisse
Bathroom Solutions

2/97 Banksia St., Botany, NSW 2019
TEL: 1300 717 717 FAX: 1300 746 480
www.johnsonsuisse.com.au

V1 0321