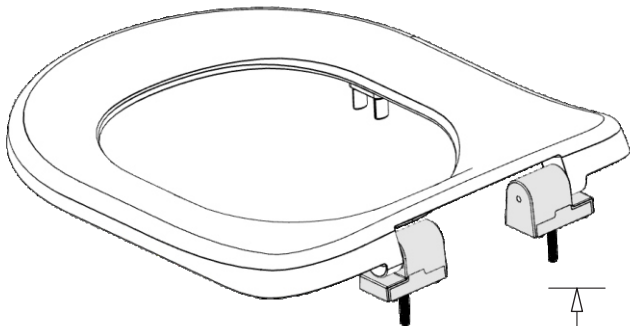
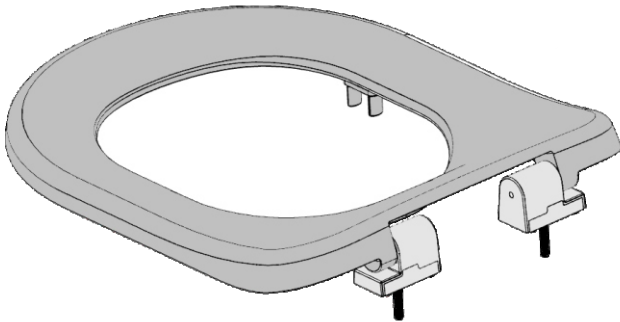
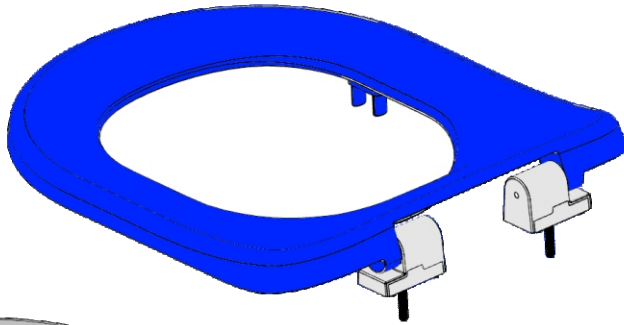


**LIFE ASSIST**  
TOILET SEAT



Specifications

Material	Duroplast (Urea)
Colour	Blue, Grey, White
Hinge	Top-fix, Vandal Proof
Other	Lateral stabilisers
	200kg Load rating

Compatibility

- Life Assist FTW
- Life Assist WF
- Life FTW, CCS, WF
- Heart FTW, CCS, WF

Note: Can be installed in compliance with AS1428.1 Design for access and mobility

