

# PLAZA<sub>ASSIST</sub>

## SPECIAL NEEDS TOILET SEAT

CODE: RB6015x

### FEATURES

- Tough Duroplast (urea) construction
- Bolt-through, vandal resistant hinge connection
- Can be installed in compliance with AS1428.1  
- Design for access and mobility
- Available in 3 colours
- Adjustable lateral stabilisers
- Generic size - fits most toilets

### COMPONENTS

PLAZA <sub>ASSIST</sub> toilet seat	Blue	OR	RB6015B
	Grey		RB6015G
	White		RB6015W



RB6015B



RB6015G



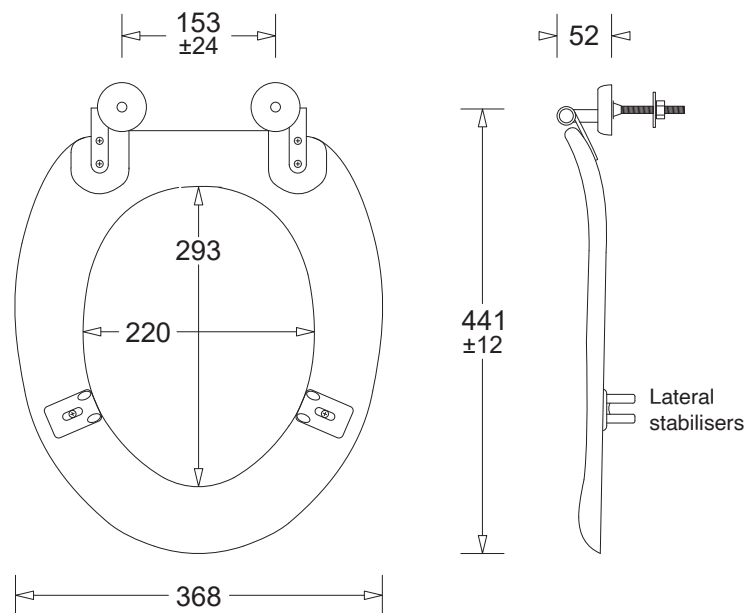
RB6015W

### WARRANTY

Toilet seat 5 years replacement  
-refer to T&Cs at [www.johnsonsuiss.com.au](http://www.johnsonsuiss.com.au)



### PRODUCT DIMENSIONS



### TECHNICAL DATA SHEET

SUPERSEDES ALL PREVIOUS ISSUES

All dimensions are in millimetres and are subject to normal manufacturing variation.  
As product development is ongoing BPA reserves the right to vary specifications without notice.  
Bathroom Products Australia Pty Ltd ABN 87 079 297 617

### JohnsonSuisse

Bathroom Solutions

2/97 Banksia St.,

Botany, NSW 2019

TEL: 1300 717 717

[www.johnsonsuiss.com.au](http://www.johnsonsuiss.com.au)

1223