

VITREOUS ENAMELLED STEEL BATHS

CODE:J50x0

FEATURES

- Quality European manufactured pressed steel bath
- Modern styling with simple easy-clean lines
- Durable, scratch-resistant vitreous enamel finish
- Comfortable shape with generous depth
- Two standard sizes available to suit most installations

MODELS

	LENGTH	WIDTH	CODE
Esti 1700	1700	700	J5000
Esti 1500	1500	700	J5010

WARRANTY

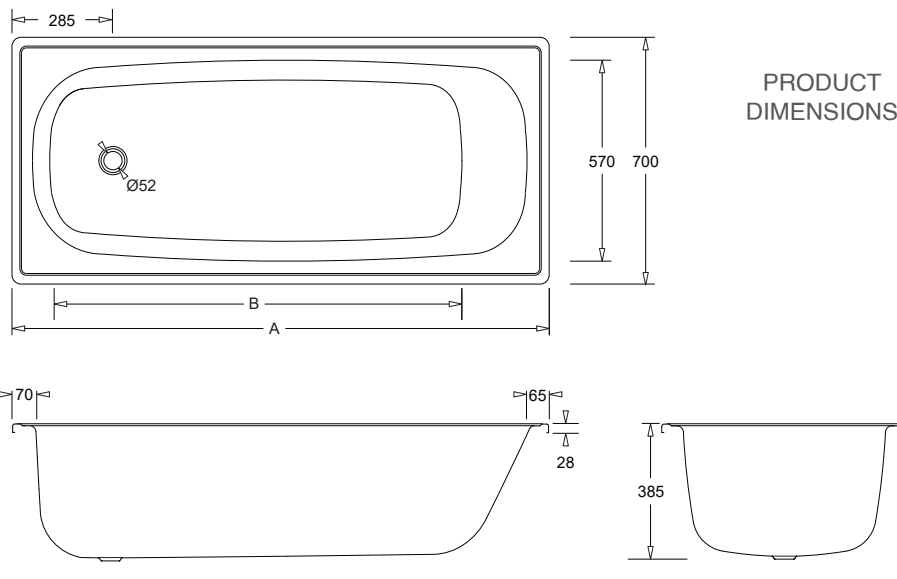
10 years product replacement
- see www.johnsonsuiss.com.au for T&Cs.



J5010



J5000



Model	Code	A	B	Capacity L	Suggested installation height	Weight kg.
Esti 1700	J5000	1700	700	190	525-565	27
Esti 1500	J5010	1500	700	170		23

TECHNICAL DATA SHEET

SUPERSEDES ALL PREVIOUS ISSUES

All dimensions are in millimetres and are subject to normal manufacturing variation.
As product development is ongoing BPA reserves the right to vary specifications without notice.
Bathroom Products Australia Pty Ltd ABN 87 079 297 617