

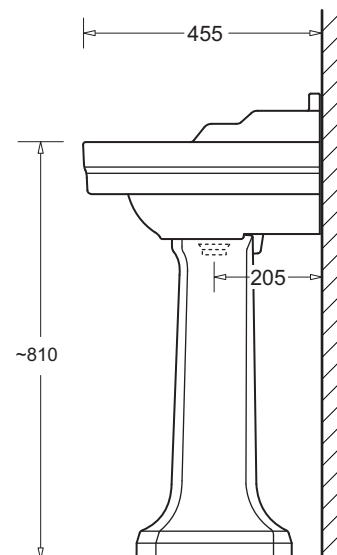
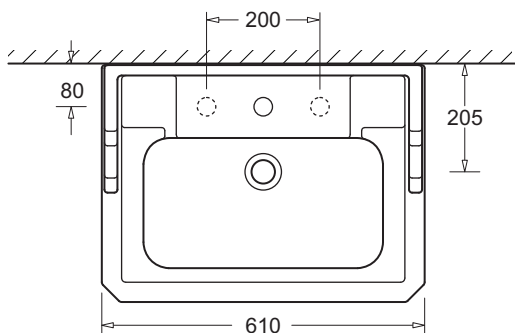
Installation Guidelines

Colonial - Wall Basin with Pedestal

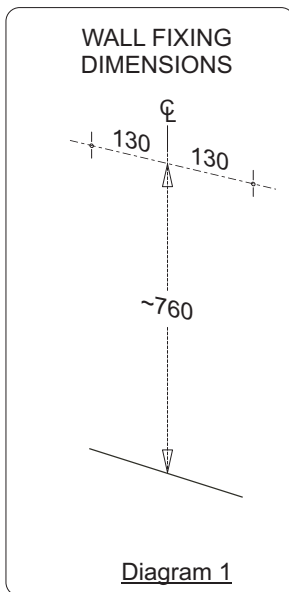
Wall Basin Model JBSC861.1
Wall Basin Model JBSC861.3
Pedestal Model JBSC830



General Dimensions



INSTALLATION

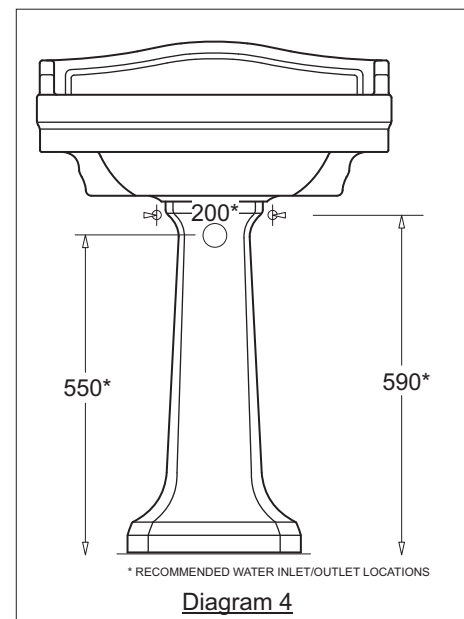
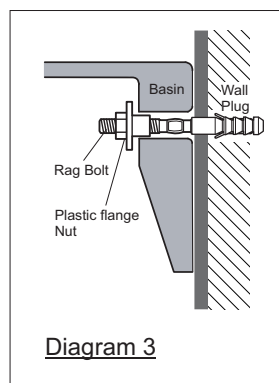
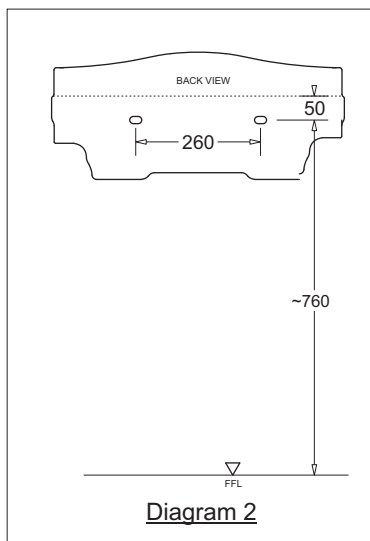


- Determine the required position for the basin, and mark a vertical centerline for this position.
Note: the Basin need to be installed supported by the Pedestal.
- Mark a horizontal line for the fixing at ~760mm above finished floor level, and mark at 130mm each side of the centerline (refer to diagram 1 and 2).

- Drill 2 holes $\text{\O}12\text{mm}$ in the wall (masonry), insert wall plugs and screw in the Rag bolts securely. Position the basin, and secure to the wall using the Plastic Flange Nuts (refer to diagram 3).

If installing into a timber frame, drill a 6mm pilot hole and thread rag bolt directly into timber.

- Check at this point that the pedestal will fit underneath the basin, and if not, make the necessary adjustments.
- Ensure that the waste and water inlets are in place (refer to diagram 4).
- Make all water and waste connections as required.
- Position pedestal in place on the floor and under the basin.
- Seal around the sides and top of the basin with a suitable silicone. It is recommended to also apply silicone to the part-line between the basin and pedestal to assist in securing the pedestal to place.



Required Tools

- Drill
- Tape Measure
- Spanners
- Screwdriver
- Hammer
- Spirit level

