

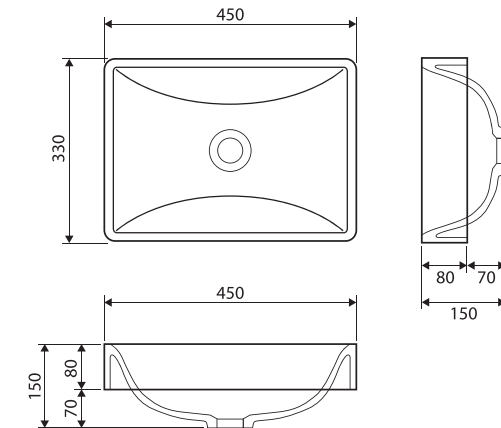
Kados

SEMI-INSET BASIN

Features

- Cast stone solid surface
- No tap hole or overflow
- Requires 32 mm waste without overflow (not included)
- Weight: 7.3kg

Please note: Due to the nature of ceramic as a material, small variations in size and shape do occur. Ensure that the measurements of the purchased basin are checked physically BEFORE cutting any counter-top. Specification drawings are a guide only. Fienza will not be held liable for any errors made by external parties when cutting counter-tops.



Available in



Matte White
CSB05

Cleaning & Care

- Wipe with a clean, soft cloth and mild soapy water or non-abrasive bathroom cleaner. Test in an inconspicuous area before cleaning the whole basin.
- Avoid placing hot objects, such as hair straighteners, on any surface as these will cause discolouration and marking.
- Spills of hair dye, after-shave lotion, nail polish and remover, aerosol spray and other harsh chemicals should be removed immediately to prevent damage and discolouration. Clean immediately with mild soapy water using a clean, soft cloth.
- Please find more information in the Care Guide for this product online at fienza.com.au

While we aim to ensure specifications are correct at the time of publication, Fienza reserves the right to make modifications without prior notice. Physical colour may vary from image shown. All measurements are shown in millimetres. For ceramic products, please allow +/- 10 mm tolerance for manufacturing variance. Always use physical product measurements for mark-ups and roughing-in as the technical drawing may differ from actual product received.