

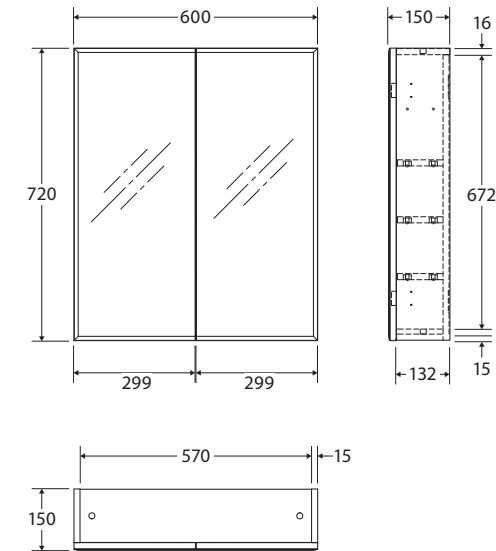
Bevel Edge MIRROR CABINET

600MM

Features

- 5 mm thick glass with bevel edge
- Copper free mirror treated with resin emulsion paint to protect against corrosion
- Soft-close doors with overhang fingerpull
- Three internal board shelves
- Can be semi-inset into wall
- Made from E1 MDF board with a 2-Pac gloss white finish
- Strong 16 mm thick backing board

Easy to install: with high quality backing boards, fixings can be placed anywhere through the back of the cabinet.



Available in



Gloss White

B600

Cleaning & Care

- Clean mirrors with a combination of 30% methylated spirits to 70% water and a soft cloth designed for use on glass surfaces.
- Clean cabinet with mild soapy water using a clean, soft cloth.
- Do not use harsh detergents, bleach, abrasive cleaners or cream/wax cleaners. These substances can result in scratches and/or deposit build-ups that will affect the appearance.
- Avoid placing hot objects, such as hair straighteners, on any surface as these will cause discolouration and marking.
- Spills of hair dye, after-shave lotion, nail polish and remover, aerosol spray and other harsh chemicals should be removed immediately to prevent damage and discolouration.

We aim to ensure that specifications are correct at the time of publication. All measurements are shown in millimetres. For MDF cabinetry, please allow +/- 5 mm tolerance per 1000 mm for manufacturing variance in straightness. Always use measurements of actual product received for final specification as the technical drawing may contain differences. Due to printing limitations, physical colour may vary from the image shown. Fienza reserves the right to make modifications without prior notice.