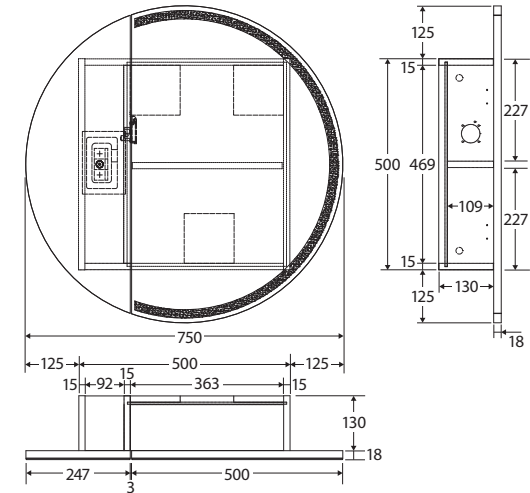
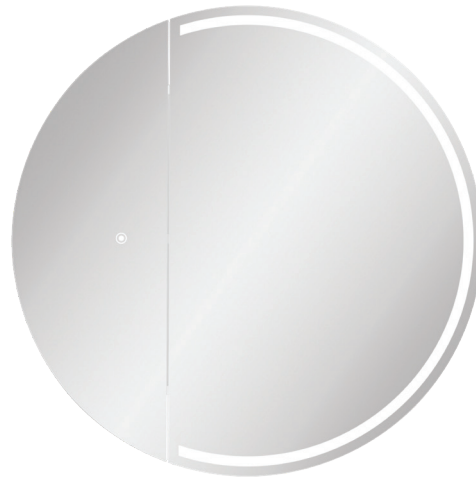


Round LED Split Mirror Cabinet

750MM

Features

- Split mirror design allows cabinet to be recessed into wall
- Adjustable colour temperature (6000, 4000, 3000K)
- Illuminating touch sensor for light
- Internal 250V powerpoint for grooming and shaving products
- 3mm thick glass mirror with frosted lighting
- Mirror treated to protect against corrosion
- Soft close door with heavy duty full swing hinges
- Left-hand door hinge only
- Strong 15mm thick backing board
- Wall mounting screws included
- 220V AC 50/60Hz with plug – (licensed electrician required for hardwired installation)
- IP44 rating



Available in



Cabinet with
Pencil Edge Mirror
PSH750R-LED-S



Internal PowerPoint

Cleaning & Care

- Clean mirrors with a combination of 30% methylated spirits to 70% water and a soft cloth designed for use on glass surfaces.
- Clean cabinet with mild soapy water using a clean, soft cloth.
- Do not use harsh detergents, bleach, abrasive cleaners or cream/wax cleaners. These substances can result in scratches and/or deposit build-ups that will affect the appearance.
- Avoid placing hot objects, such as hair straighteners, on any surface as these will cause discolouration and marking.
- Spills of hair dye, after-shave lotion, nail polish and remover, aerosol spray and other harsh chemicals should be removed immediately to prevent damage and discolouration.

We aim to ensure that specifications are correct at the time of publication. All measurements are shown in millimetres. For MDF cabinetry, please allow +/- 5 mm tolerance per 1000 mm for manufacturing variance in straightness. Always use measurements of actual product received for final specification as the technical drawing may contain differences. Due to printing limitations, physical colour may vary from the image shown. Fienza reserves the right to make modifications without prior notice.