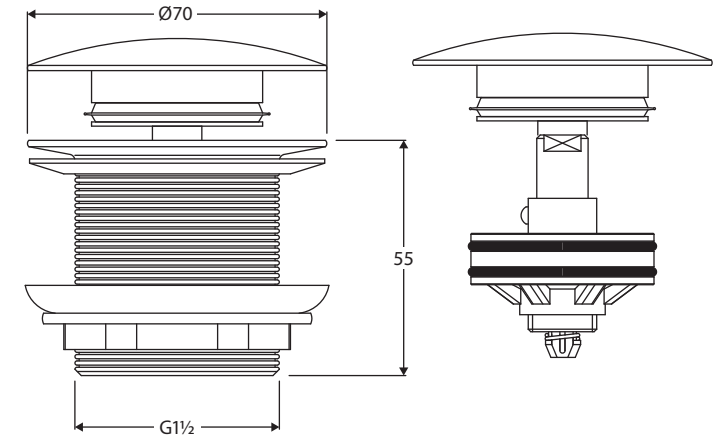


Pull-Out/ Pop-Up CONCRETE BATH WASTE NO OVERFLOW

Features

- Concrete cap with food-grade nano sealant
- Entire top section of waste pops out for easy cleaning and drainage
- 40 mm without overflow

* Colour matches Jada Freestanding Concrete Bath.



Available in



Warm Grey*
WAS79CC



Cleaning & Care

- Wipe with a clean, soft microfibre cloth and mild soapy water or non-abrasive bathroom cleaner. Test in an inconspicuous area before cleaning.
- Please do not use abrasive scour pads, as it can scratch the surface and break down the sealer.
- Avoid exposure to harsh products such as bleach, acetone, or nail polish remover. If exposure occurs, rinse immediately with water to neutralise the effect, and then follow usual cleaning procedure.
- Direct sunlight can cause concrete to slowly discolour over a long period.
- Avoid impact on edges and the surface with hard objects. With daily use, your concrete product may develop scratches, marks, and chipping over time.
- For full cleaning and care details, view the Concrete Care Guide on our website.

While we aim to ensure specifications are correct at the time of publication, Fienza reserves the right to make modifications without prior notice. Physical colour may vary from image shown. All measurements are shown in millimetres. Always use physical product measurements for mark-ups and roughing-in as the technical drawing may differ from actual product received.