

Toilet Suite

Product Code: TSCUBE

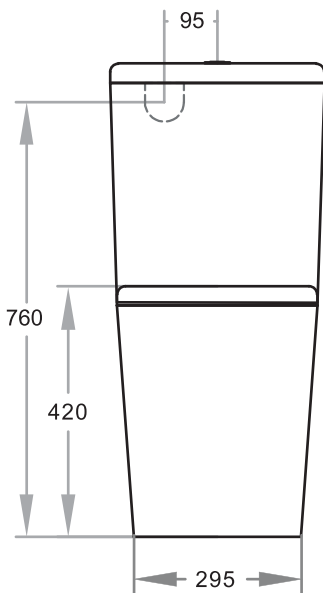
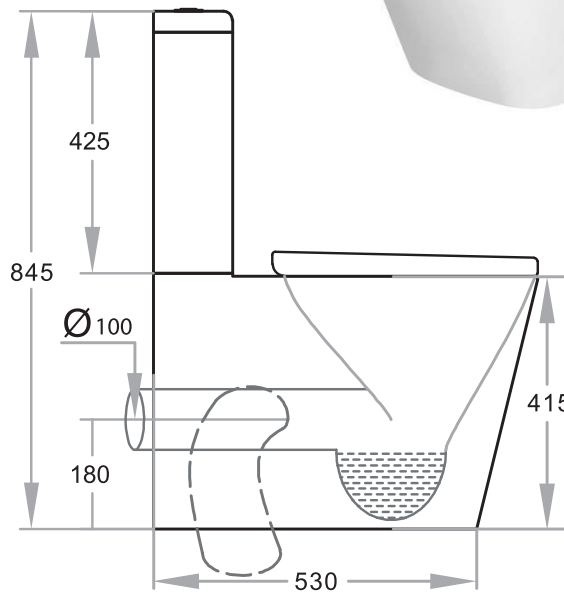
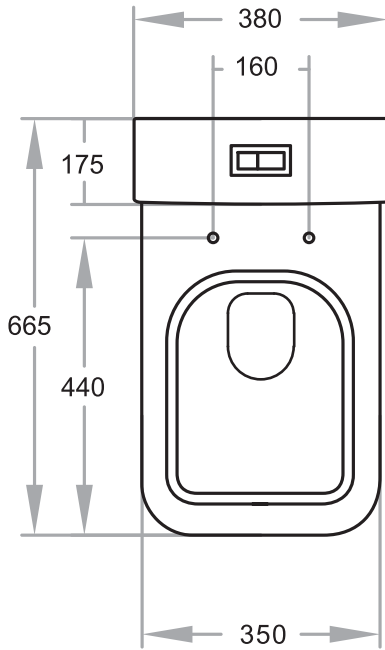


Proudly 100%
WEST AUSTRALIAN
OWNED & OPERATED

SPECIFICATIONS:

- S-Trap set out 60-150 with PWG001 (out of the box)
- S-Trap set out 100-205mm with PWG002
- S-Trap set out 150-240mm with JT43
- P-Trap 180mm

WELS 4 Star rated: 3.2L Water Consumption
WELS Registration: L01804
Model Code: KDK003



PWG001 :60-150 (*Out of the box*)

PWG002 :100-205

JT43 : 150-240

The more stars the more water efficient

WATER RATING
www.waterefficiency.gov.au

4 3.2L Water Consumption