

EMILIA

TOILET SEAT

JohnsonSuisse
Bathroom Solutions

CODE:
JSEE101

FEATURES

- TOUGH DUROPLAST (UREA) CONSTRUCTION
- SOFT-CLOSE HINGE WITH STAINLESS STEEL MOUNTINGS
- QUICK RELEASE BUTTON FOR EASY CLEANING
- TOP FIXED MOUNTING BOLTS
- 4 x SEAT BUFFERS

COMPATIBILITY

EMILIA XTRA FLUSH TO WALL SUITE JTTE401.JTTE402

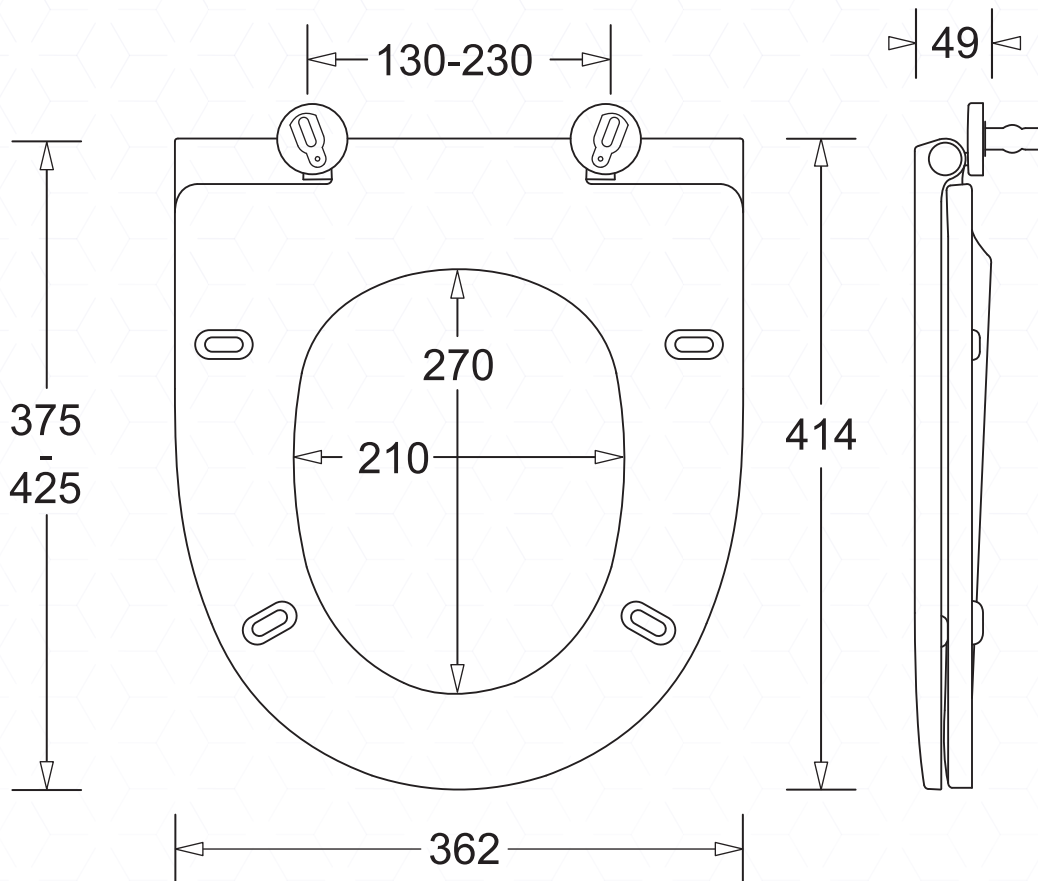
WARRANTY

5 YEAR PRODUCTS REPLACEMENT

- REFER TO T&CS AT johnsonsuisse.com.au



PRODUCT DIMENSIONS



TECHNICAL DATA SHEET

SUPERSEDES ALL PREVIOUS ISSUES

All dimensions are in millimetres and are subject to normal manufacturing variation.
As product development is ongoing BPA reserves the right to vary specifications without notice.
Bathroom Products Australia P/L ABN 87 079 297 617

JohnsonSuisse
Bathroom Solutions

2/97 Banksia St., Botany, NSW 2019
TEL: 1300 717 717 FAX: 1300 746 480
www.johnsonsuisse.com.au

V0 0920