

# MODE II

## TOILET SEAT with STANDARD HINGE

CODE: G1028A

### FEATURES

- Durable polypropylene construction
- Standard close hinge function
- Simple and secure fitting
- Standard size - fits most toilets

### COMPONENTS

Mode II standard close seat Fixing bolts	G1028A
---	--------

### WARRANTY

5 years replacement

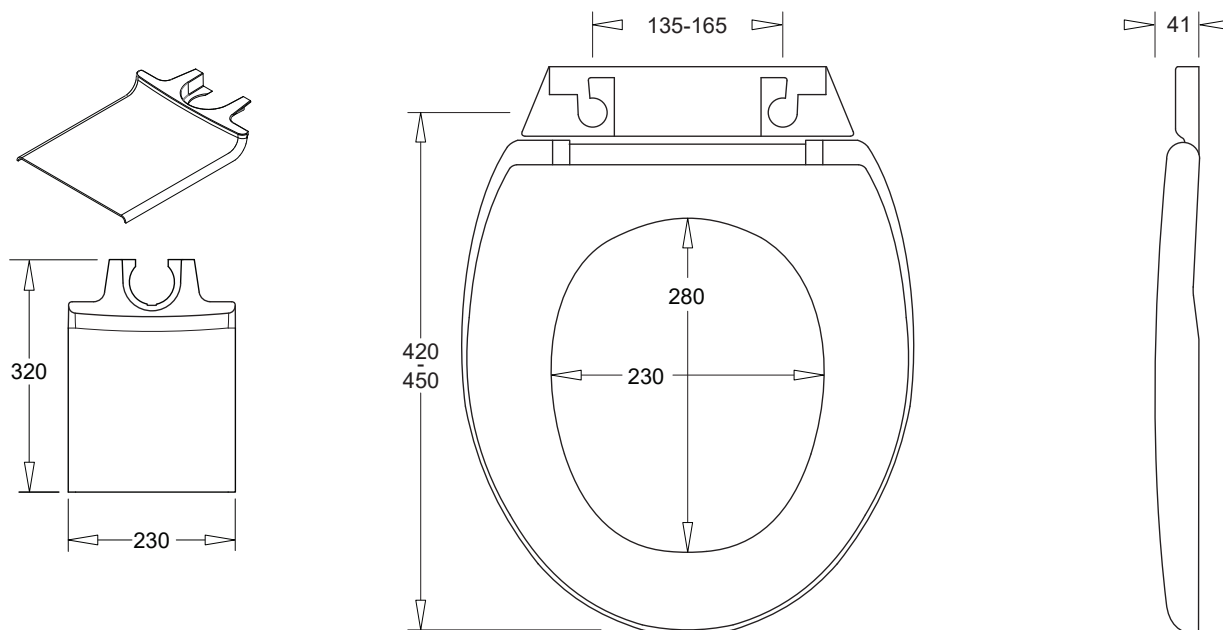
-refer to T&Cs at [www.johnsonsuiss.com.au](http://www.johnsonsuiss.com.au)



#### WC Pan Compatibility:

Mode S Trap	J2000A
Mode P Trap	J2001A
Mode Deluxe S Trap	J2030A
Civic/Plaza CC S Trap	J2010
Civic/Plaza CC P Trap	J2011
Milano CC S Trap	J14245
Milano CC P Trap	J1425

### PRODUCT DIMENSIONS



### TECHNICAL DATA SHEET

SUPERSEDES ALL PREVIOUS ISSUES

All dimensions are in millimetres and are subject to normal manufacturing variation.  
As product development is ongoing BPA reserves the right to vary specifications without notice.  
Bathroom Products Australia Pty Ltd ABN 87 079 297 617